



It shall apply from: **11-01-2016 r.**

THE ASSEMBLY INSTRUCTION OF:
SKATEPRAK SET No. 19
PRODUCT CODE: **101970**



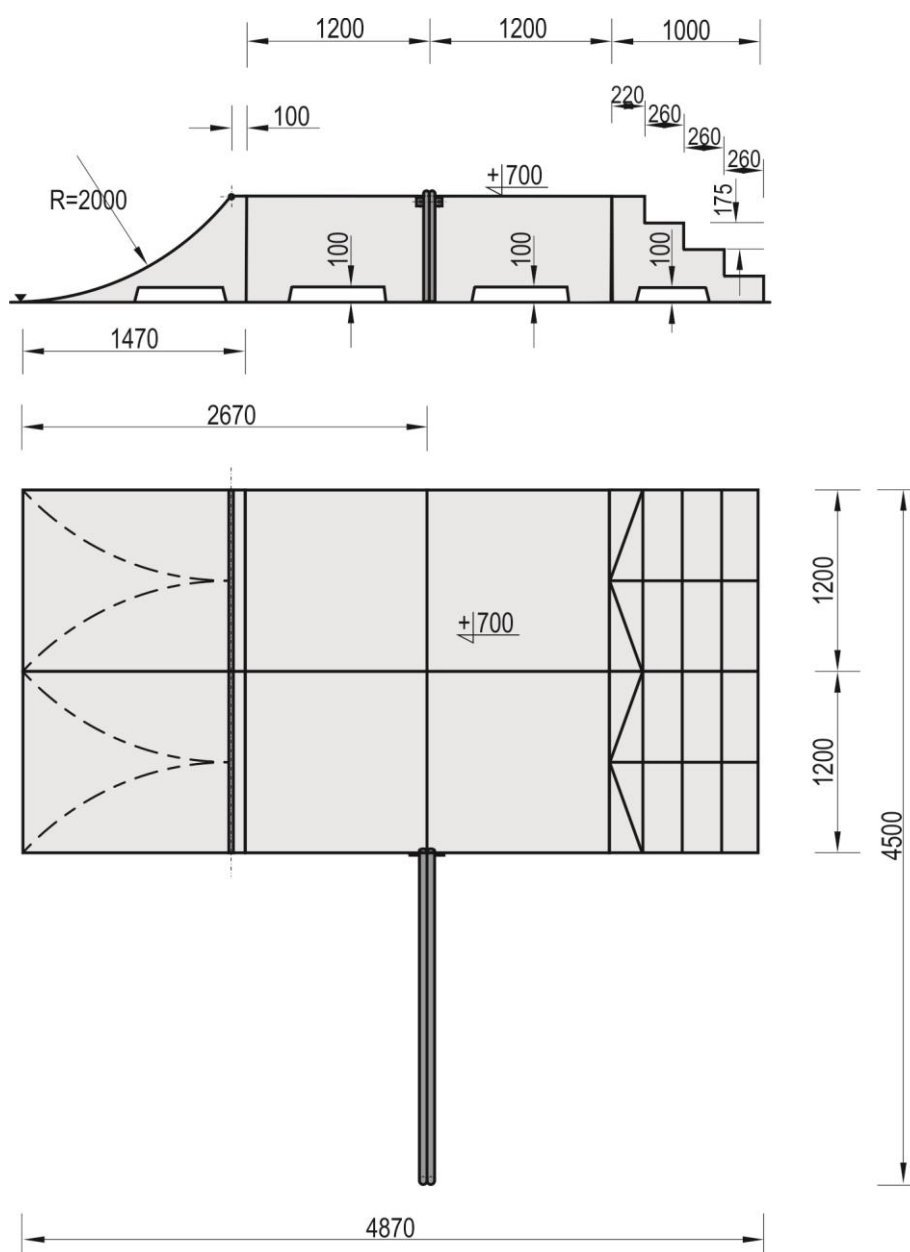


TABLE OF CONTENTS

INTRODUCTION	2
STAGE 1 – Preparatory work – safety zone	3
STAGE 2 – Assembly of the construction	3
1. List of components	3
2. Assembly scheme	4

INTRODUCTION

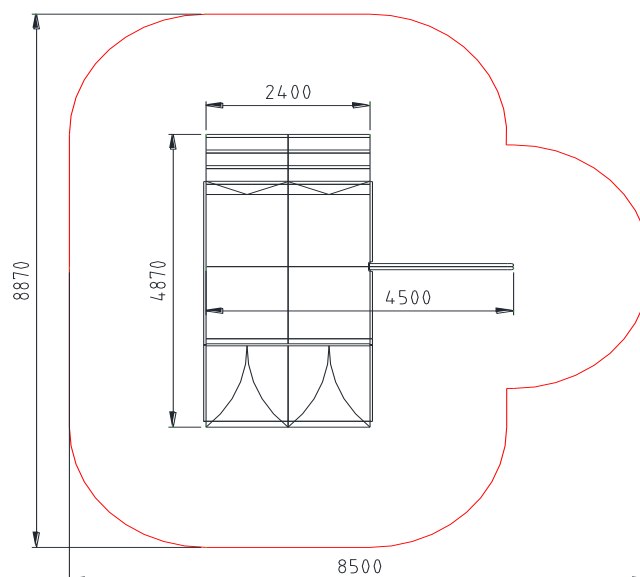
- Overall dimensions: 4,87 x 4,50 x 0,70m





STAGE 1 – Preparatory work – safety zone

- Secure the assembly site to keep others at a distance
- Set the construction in a designated place having regard to required impact area.



WARNING!

Installation shall be in accordance with safety & health standards

STAGE 2 – Assembly of the construction

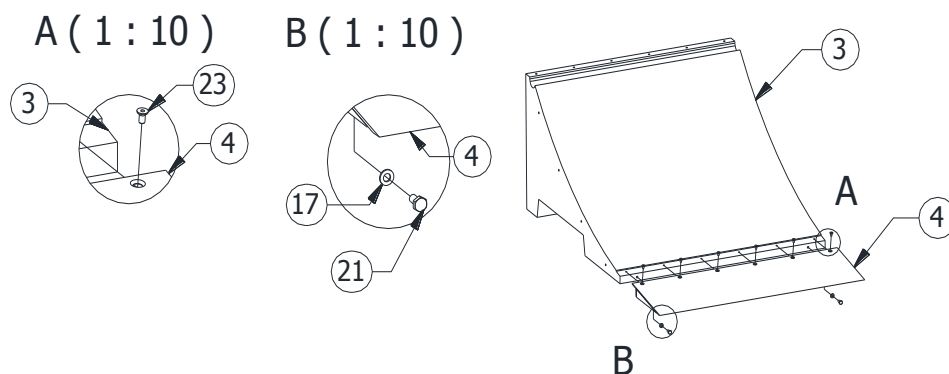
1. List of components

NO.	NAME OF COMPONENT	DIMENSIONS	QTY.	NORM
1	Box 700 2S	1200x1200x700	4	160070.02S
2	Stairs 700		2	161270.100
3	Coping 700		2	111270.00C
4	Stainless steel toe plate for Ramp	350x1200	2	SN.350.000
5	Sheet metal connector of Box-Box	100x1200x5	4	SP.Ł.100
6	Side rail for Stairs 700		1	SP.SS.001L
7	Side rail for Stairs 700		1	SP.SS.001R
8,9	Side rail for Ramp 700		2	SP.RP.005
10	Side rail for Box-Ramp		1	SP.BX.005 A
11	Side rail for Box		1	SP.BX.004 L
12	Side rail for Box-Curb		1	SP.BX.006 SP
13	Side rail for Box-Curb-Ramp		1	SP.BX.006 SRL
14	Double Coping for Ramp 700		1	SP.RP.004
15	Curb for Box 700		1	132070.000
16	Curb for Box frame		1	SP.CFBJ.000
17	Washer	Ø30xØ10,5x2,5 (M10)	34	DIN 9021
18	Washer	Ø24xØ13x2,5 (M12)	4	DIN 125
19	Washer	Ø50xØ17x3 (M16)	2	DIN 9021
20	Hexagon head screw	M16 x 25	2	DIN 933
21	Hexagon head screw	M10 x 25	34	DIN 933
22	Hexagon head screw	M12 x 80	2	DIN 931
23	Countersunk screw - torx	TX45 - M8x16	12	ISO 14581
24	Countersunk screw	M10 x 20	72	DIN 7991
25	Self-locking nut	M12	2	DIN 985
26	Expansion bolt	Ø10x80	4	

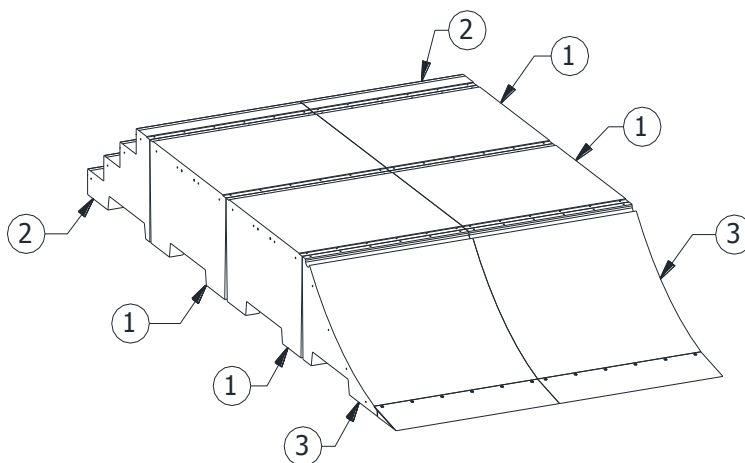


2. Assembly scheme

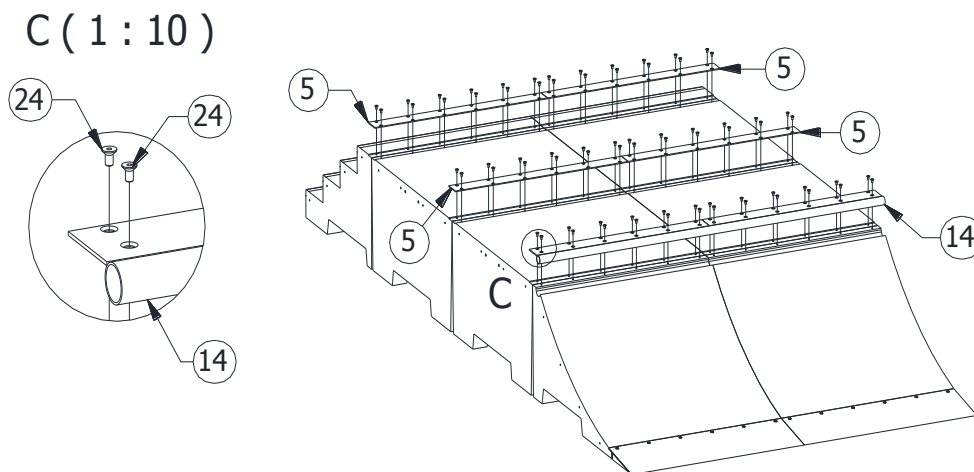
- Screw the steel toe plates (point 4) to the Ramp (point 3) by using screws and washers of point 17,21 and 23,



- Place the concrete elements according to the illustration below:

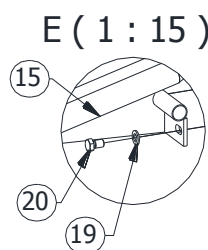
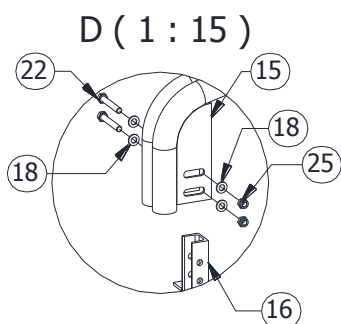
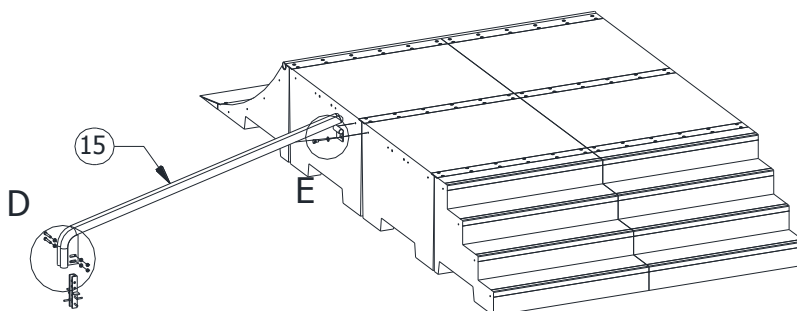


- Screw the concrete elements together by using connecting sheet metal (point 5 and 14) and screws of point 24.

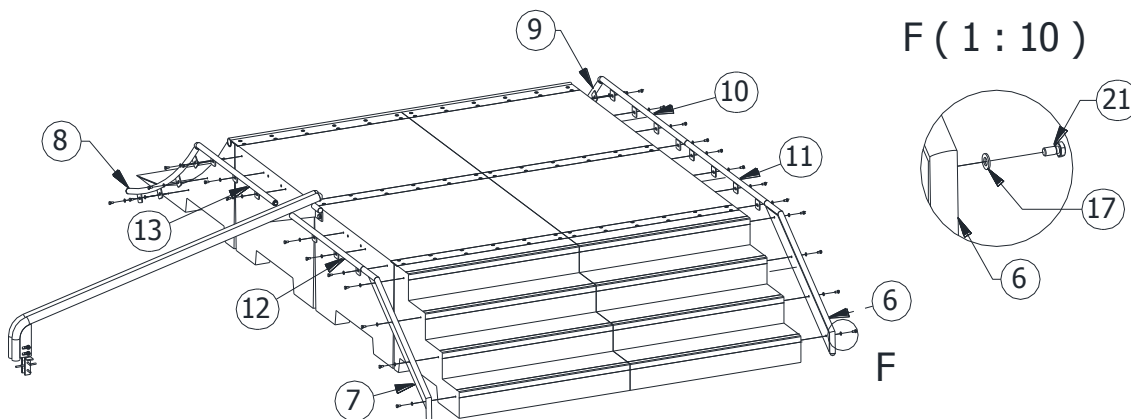




- Prepare an excavations of dimensions $\varnothing 190 \times 300 \text{mm}$ at a defined distance to put there the steel frame for foundation (point 16). Fill the excavation with concrete of class C16/20. Screw the curb for Box (point 15) to the Boxes (point 1) by using screws and washers of point 19-20. Screw the lower end to the steel frame (point 16) by using screws and washers of point 18, 22 and 25,



- Screw the side rails (point 6-13) to the concrete by using screws and washers of point 17 and 21.



- Fix the steel toe plates to the ground by using bolts of point 26.
- Remove the slacks in joints.
- Put the statutory plate.