

Technical Data Sheet



Product name:
Skatepark Fun Box no. 50 - h 70 cm

Date create:
2015-08-04

Code:
105070

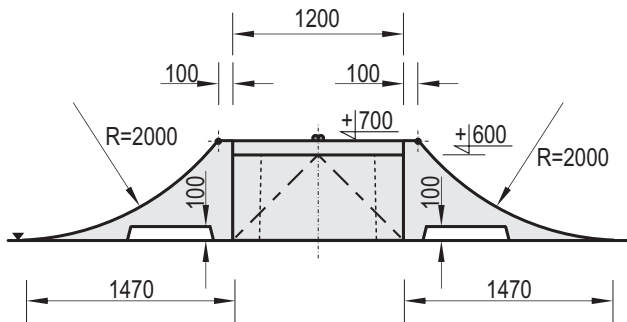
Destination:
Skate Park

Scale:
1:25

Construction materials:
Concrete od class C 35/45, hot dip galvanized steel

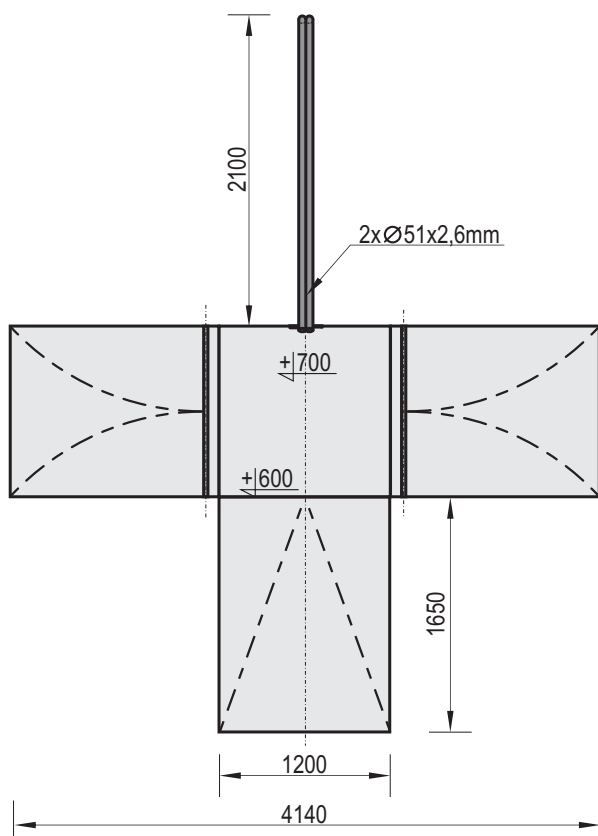
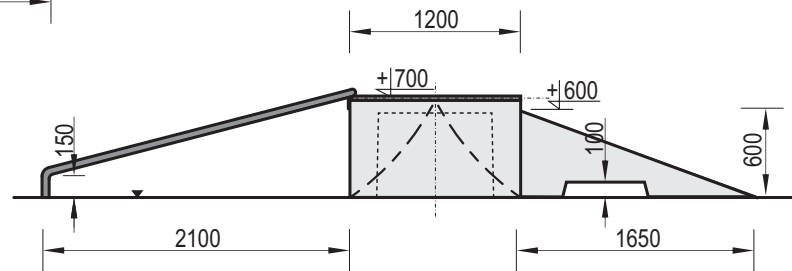
Weight:
2650

Notes:



Front view

Side view



Top view

Technical description:

- The set consists of: Box 700 + 2x Coping Ramp 700 + Bank 600 + Curb 700
- Construction made of concrete class C 35/45 and hot dip galvanized steel
- All steel elements are protected against corrosion

WARNING ! The equipment shall be used in accordance with its intended purpose