

Technical Data Sheet



Product name:
Skatepark Fun Box no. 50 - h 98 cm

Date create:
2010-09-05

Code:
105098

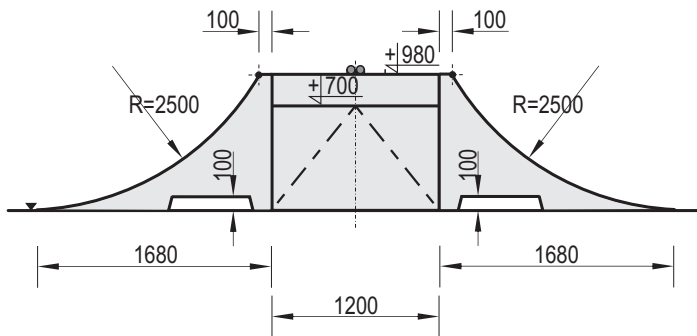
Destination:
Skate Park

Scale:
1:25

Construction materials:
Concrete of class C 35/45, hot dip galvanized steel

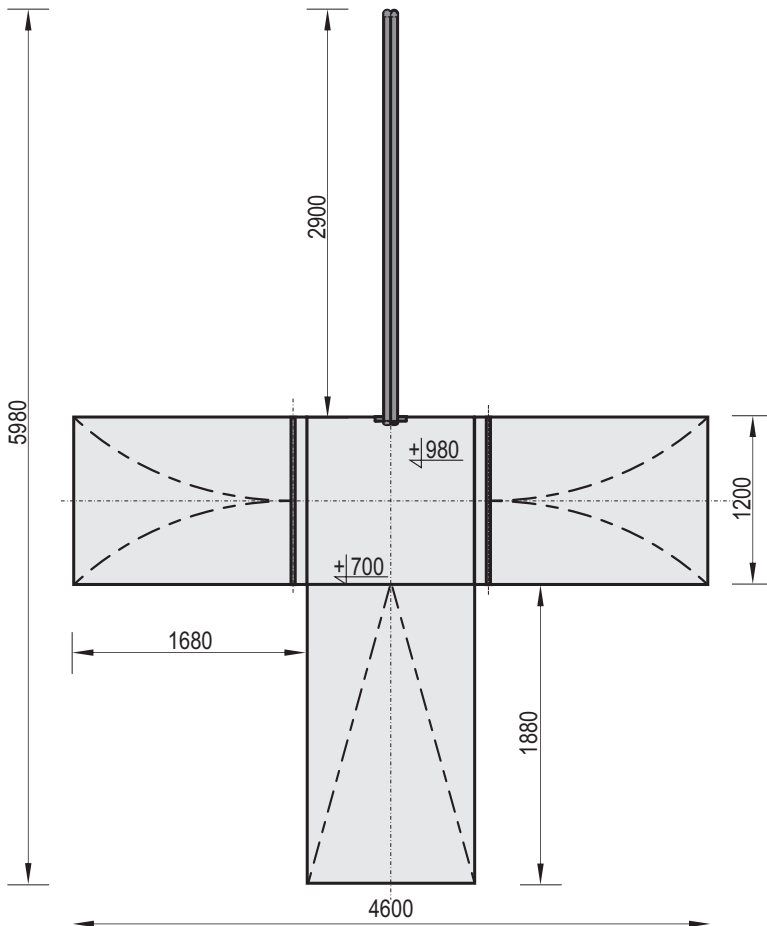
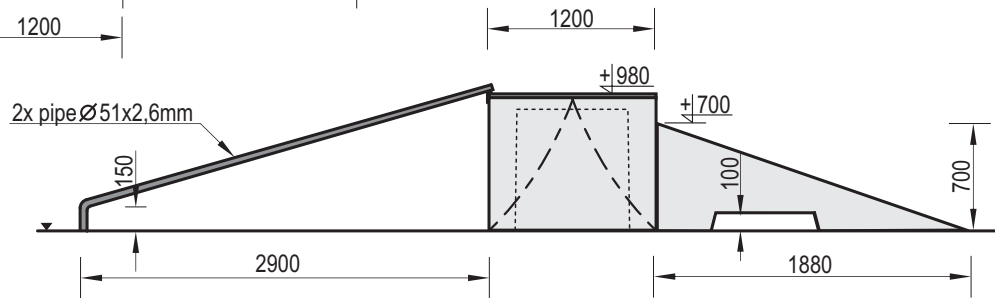
Weight:
2650

Notes:



Front view

Side view



Top view

Technical description:

- The set consists of: Box 980 + 2x Coping Ramp 980 + Bank 700 + Curb 980
- Construction made of concrete class C 35/45 and hot dip galvanized steel
- All steel elements are protected against corrosion

WARNING ! The equipment shall be used in accordance with its intended purpose