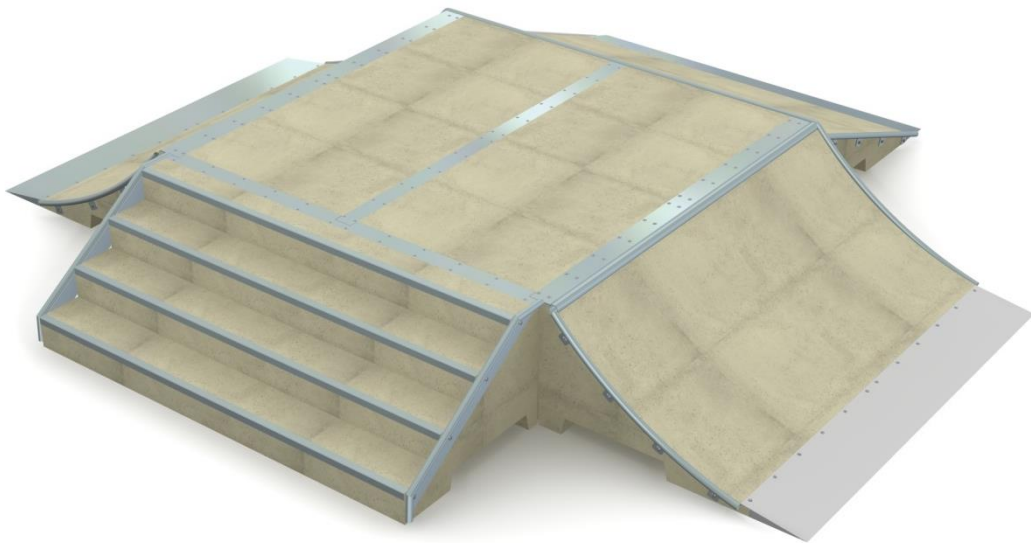




It shall apply from: 10-06-2019 r.

**THE ASSEMBLY INSTRUCTION OF:
Fun-box 51
PRODUCT CODE:105170**



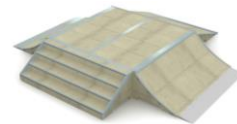
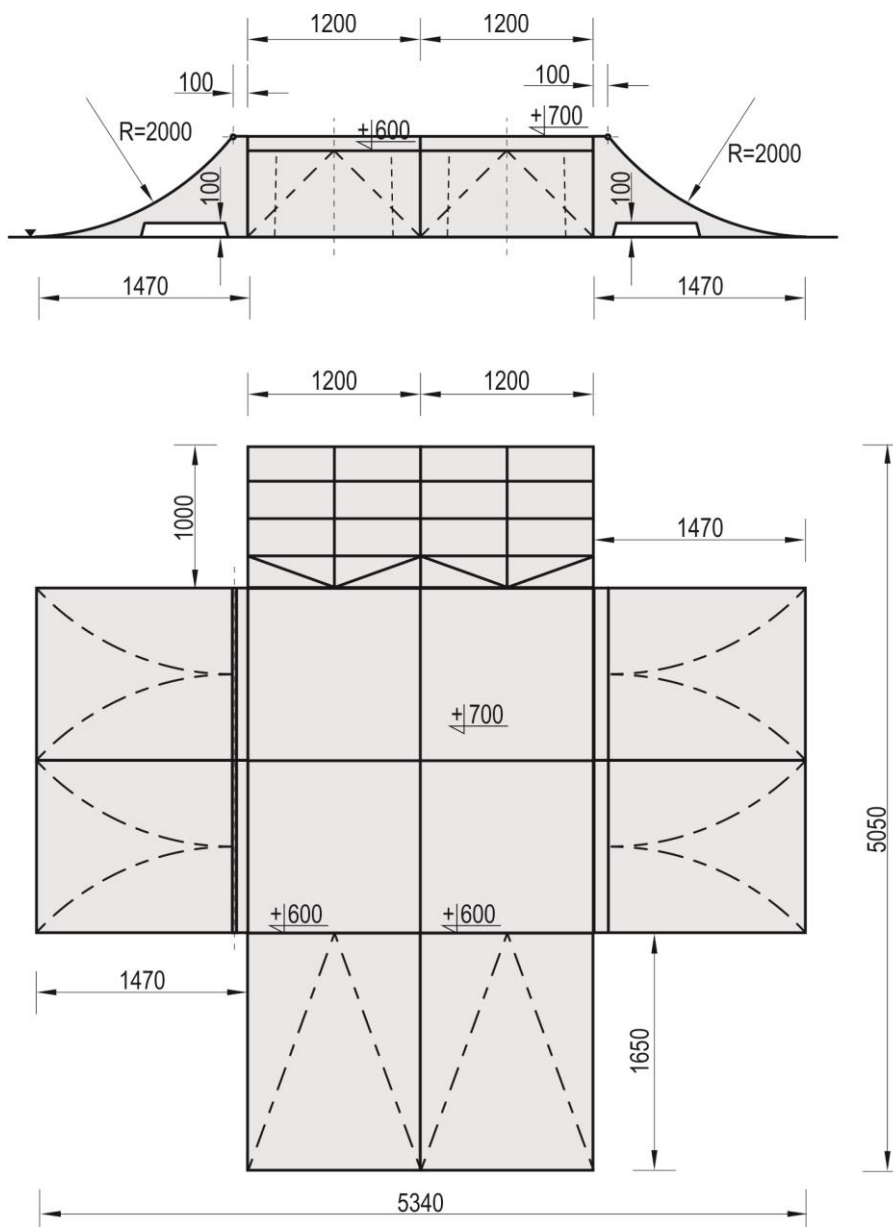


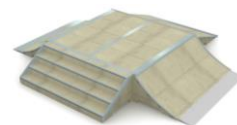
TABLE OF CONTENTS

INTRODUCTION	2
STAGE 1 – Preparatory work – safety zone	3
STAGE 2 – Assembly of the construction	3
1. List of components	3
2. Assembly scheme	4

INTRODUCTION

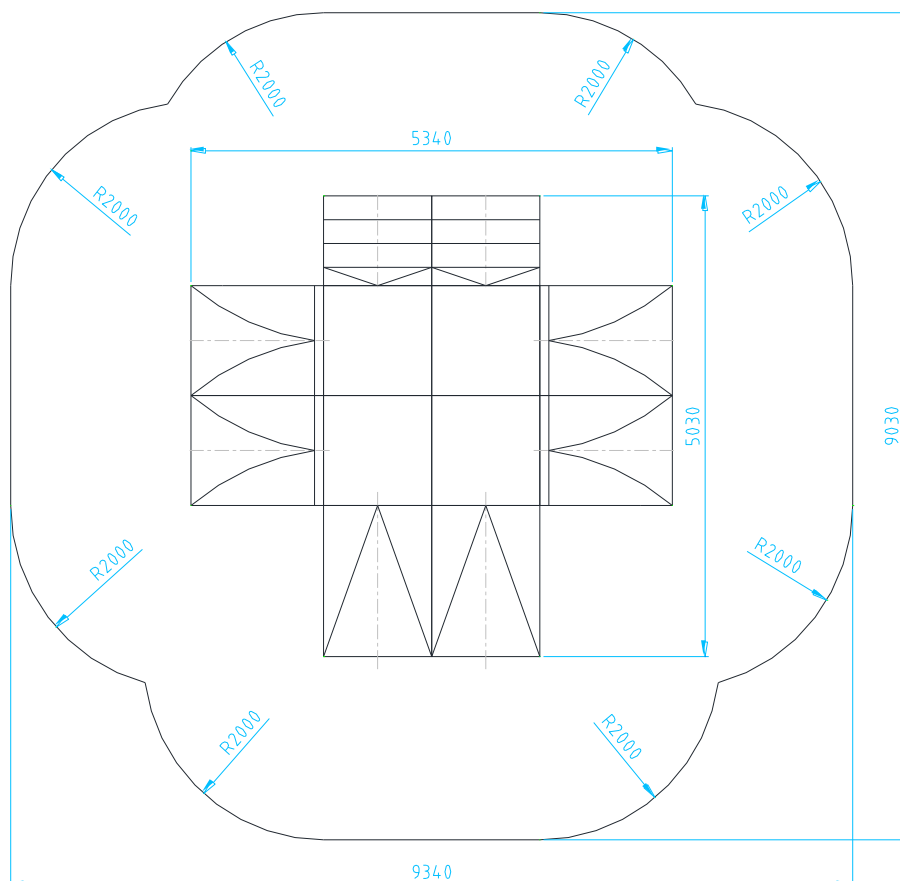
- Overall dimensions: 5,34 x 5,05 x 0,70 m





STAGE 1 – Preparatory work – safety zone

- Secure the assembly site to keep others at a distance
- Set the construction in a designated place having regard to required impact area.



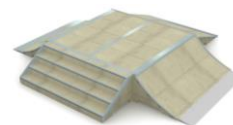
WARNING!

Installation shall be performed in accordance with safety & health standards

STAGE 2 – Assembly of the construction

1. List of components

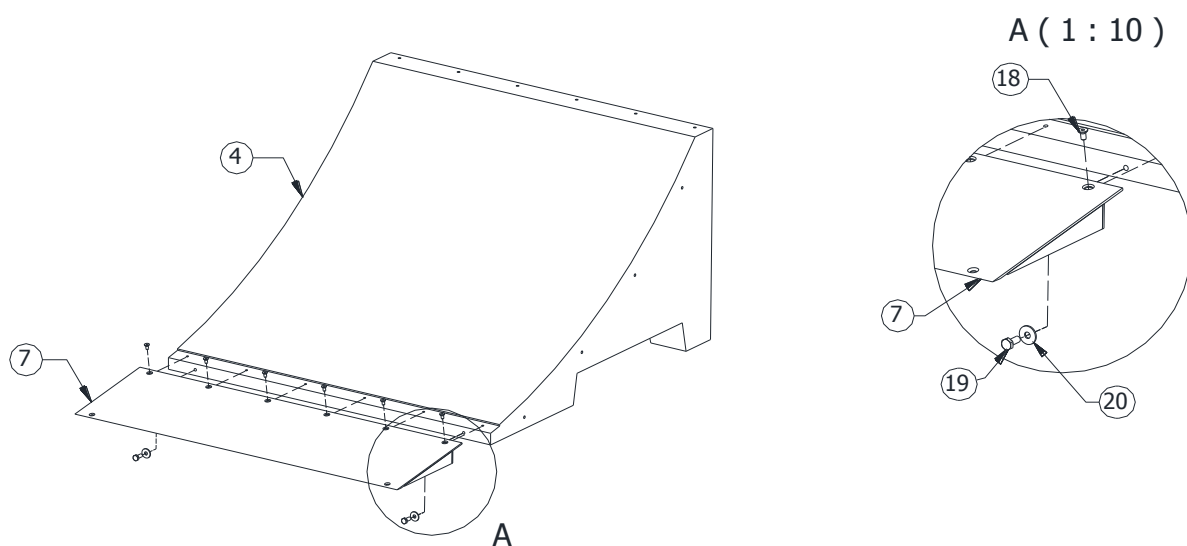
No.	NAME OF COMPONENT	DIMENSIONS	QTY.	NORM
1	Box 700 2S	1200x1200x700	2	
2	Box 700 3S	1200x1200x700	2	
3	Stairs 700		2	
4	Ramp 700		4	
5	Bank 600		2	
6	Stainless steel toe plate for Bank	250x1200	2	SN.250.000
7	Stainless steel toe plate for Ramp	350x1200	4	SN.350.000
8	Steel connector of Ramp-Box 700	1 200x145x5	4	SP.Ł.105
9	Sheet metal connector of Box-Box	100x1200x5	2	SP.Ł.100
10	Side Rail for Bank 600		2	SP.BK.001
11	Side Rail for Box-Ramp		1	SP.BX.005 A
12	Side Rail for Stairs 700		1	SP.SS.001R



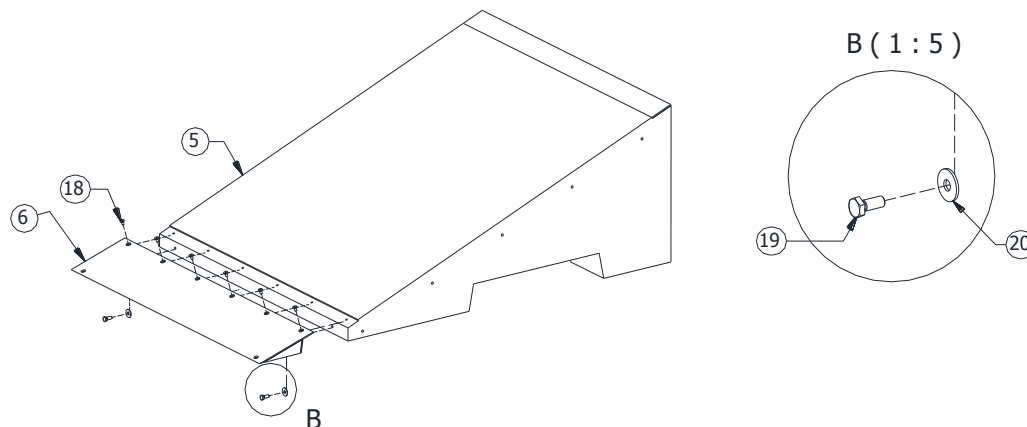
13	Side Rail for Stairs 700		1	SP.SS.001L
14	Sheet metal connector of Box-Box	100x1200x5	2	SP.Ł.100 LR
15	Side Rail for Ramp 700		4	SP.RP.005
16	Side Rail for Box-Ramp		1	SP.BX.005 B
17	Countersunk screw	M10 x 20	92	DIN 7991
18	Countersunk screw torx	TX45 - M8 x 16	36	ISO 14581
19	Hexagon head screw	M10 x 25	54	DIN 933
20	Washer	Ø30xØ10,5x2,5 (M10)	54	DIN 9021
21	Plastic Expansion Bolt	Ø10x80	12	

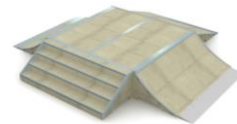
2. Assembly scheme

- Screw the steel toe plates (point 7) to the Ramps (Point 4) by using screws and washers of point 18, 19 and 20.

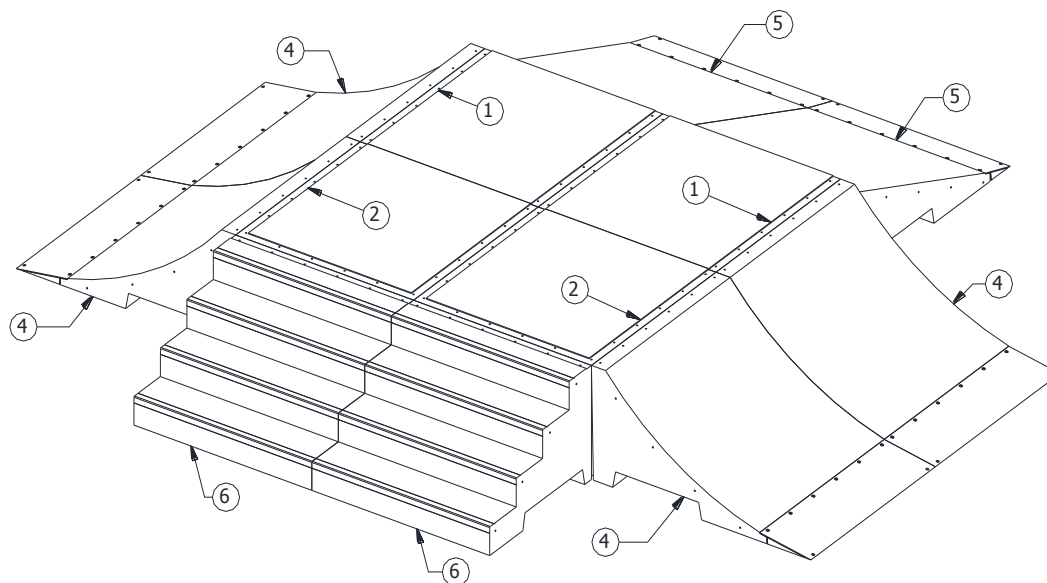


- Screw the steel toe plates (point 6) to the Banks (point 5) by using screws and washers of point 18, 19 and 20.

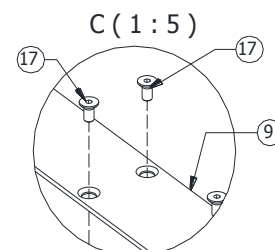
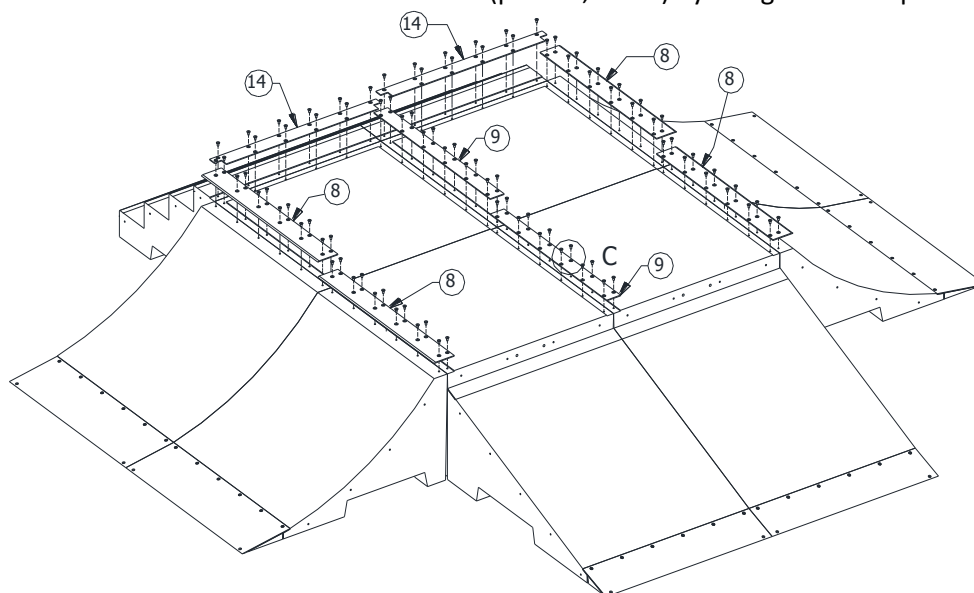


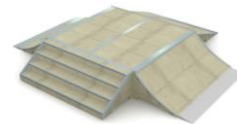


- Place the concrete elements according to the illustration below:

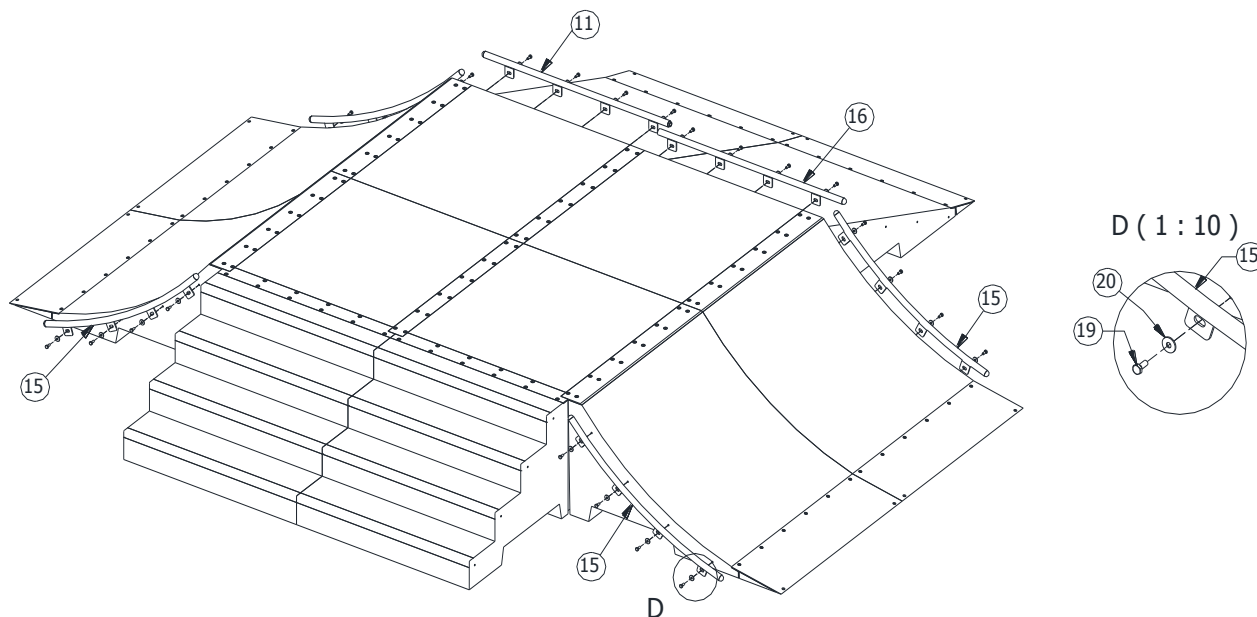


- Screw the sheet metal connectors (point 8, 9 i 14) by using screws of point 17.

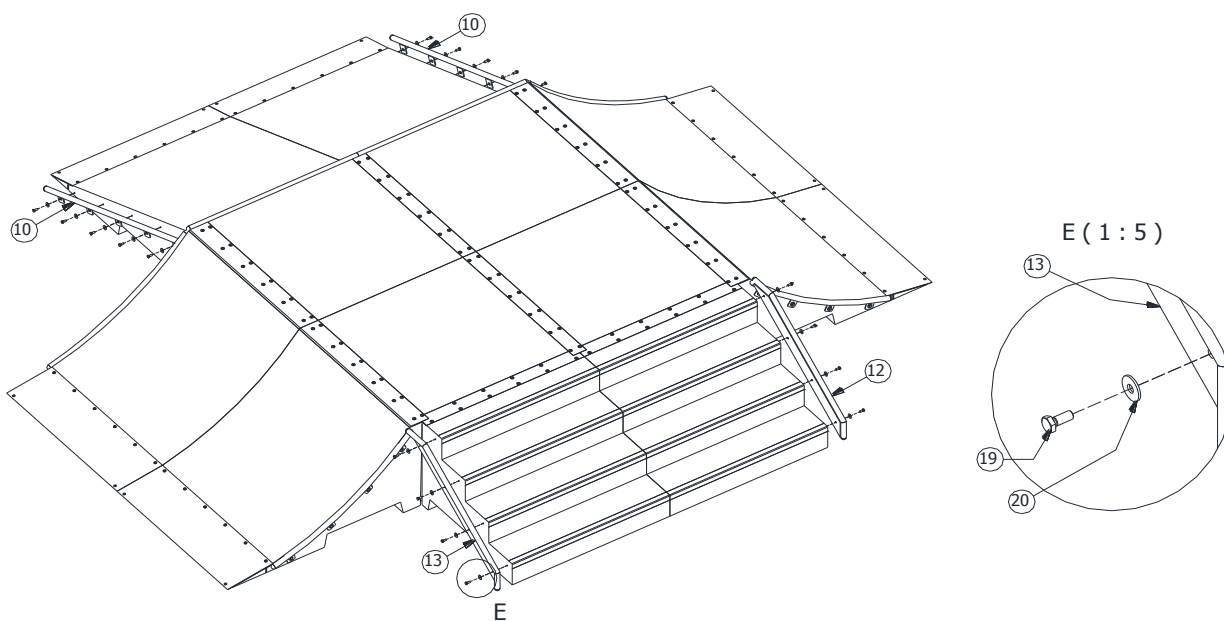




- Install the side rails (point 11, 15 and 16) by using screws and washers of point 19 and 20.



- Install the side rails (point 10, 12 and 13) by using screws and washers of point 19 and 20.



- All the corners of the steel toe plates shall be mounted to the ground with the extension bolts of point 23.
- Remove the slacks in joints
- Put the statutory plate