

Technical Data Sheet



Product name:
Fun-Box 53_980

Materials:
Concrete of class C 35/45, hot dip galvanized steel

Date create:
2010-09-05

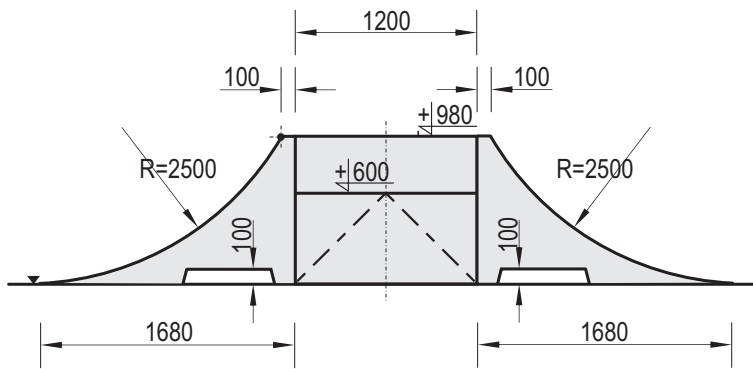
Weight:
7100

Code:
105398

Destination:
Sport

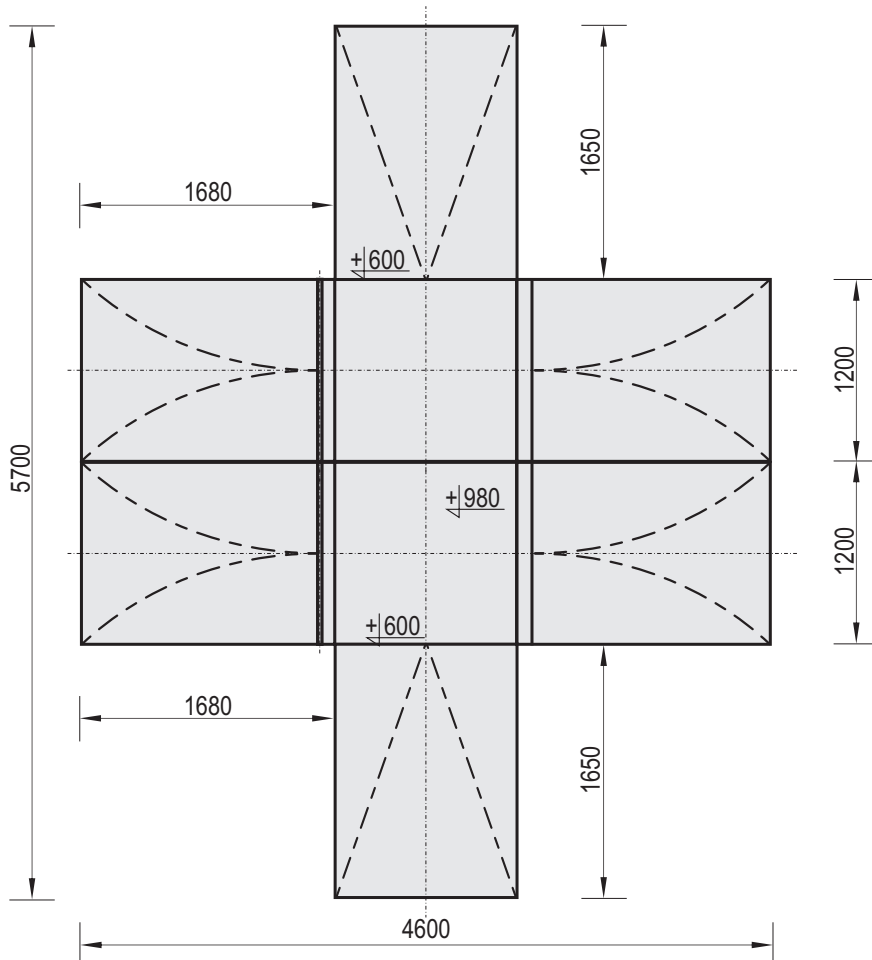
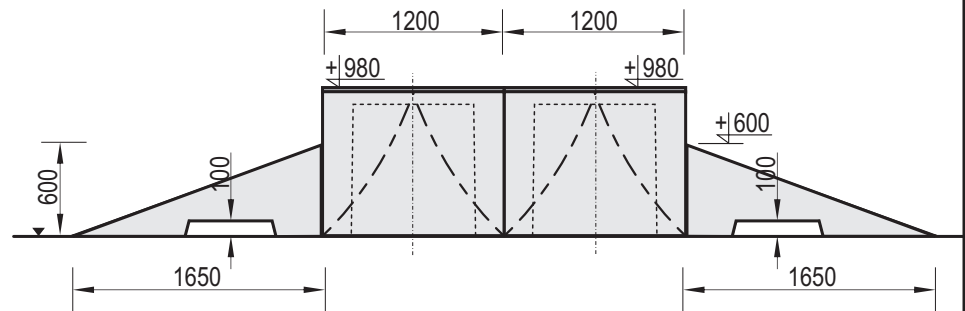
Scale:
1:50

Notes: **2x Box 980 + 2x Coping Ramp 980 + 2x Bank 600 + 2x Ramp 980**



Front view

Side view



Top view

Technical description:

- The set contains of 2x Box 980 + 2x Coping Ramp 980 + 2x Ramp+ 2x Bank 600
- Construction made of concrete class C 35/45 and hot dip galvanized steel
- Concrete elements are protected by impregnation and painted with acrylic paint PILBET

WARNING ! Children are allowed to use the item only under supervision of adults.