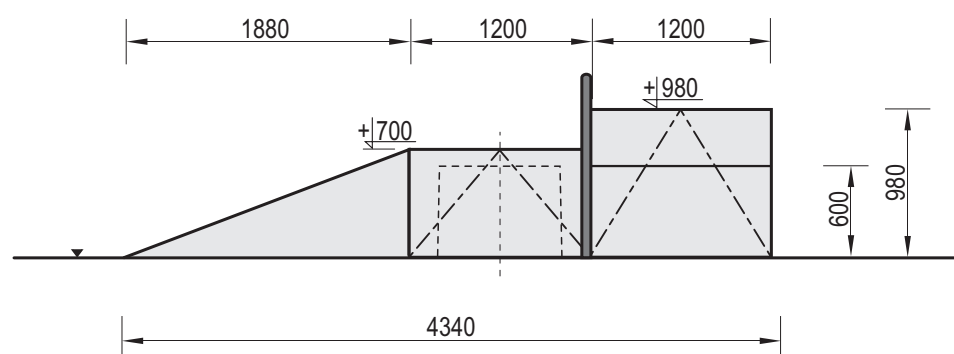
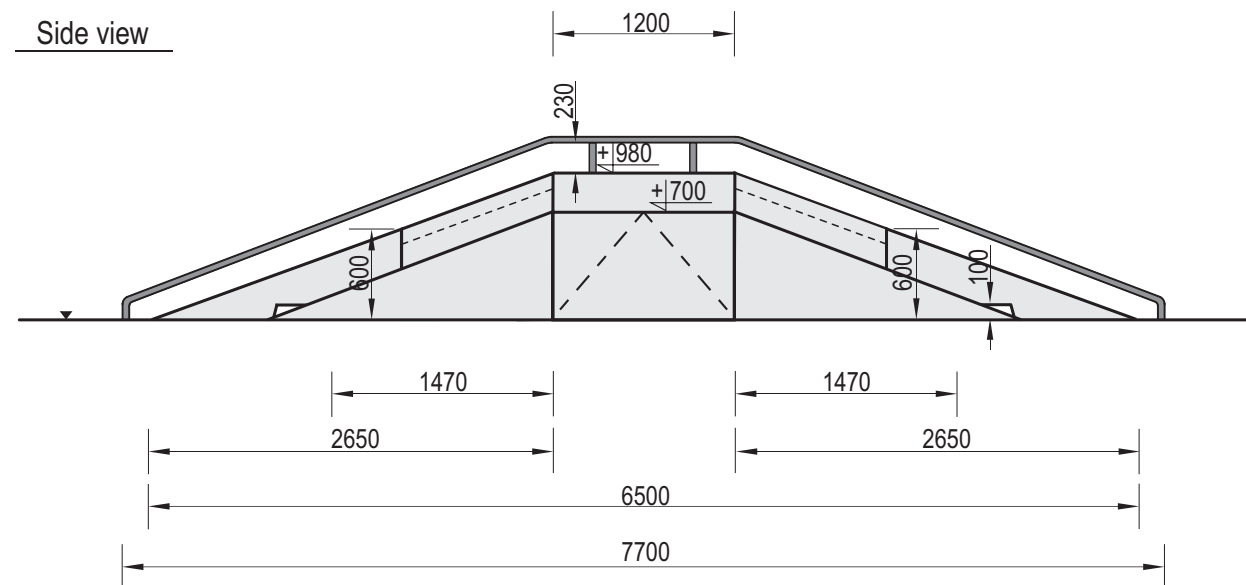


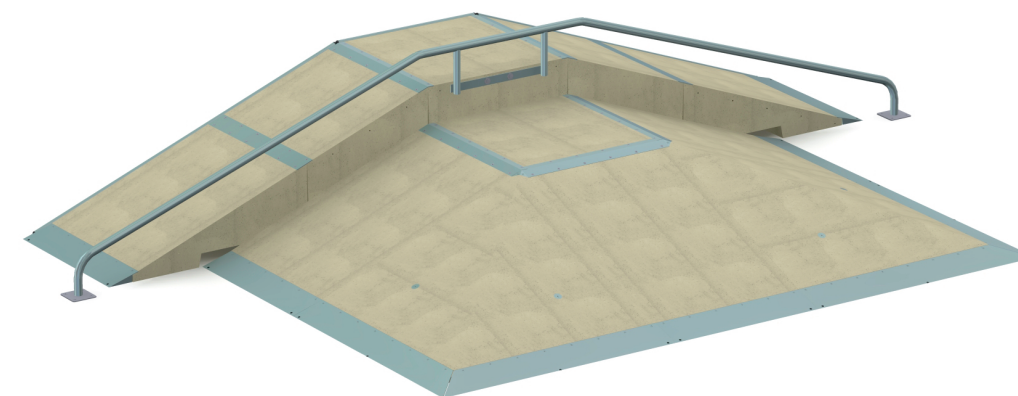
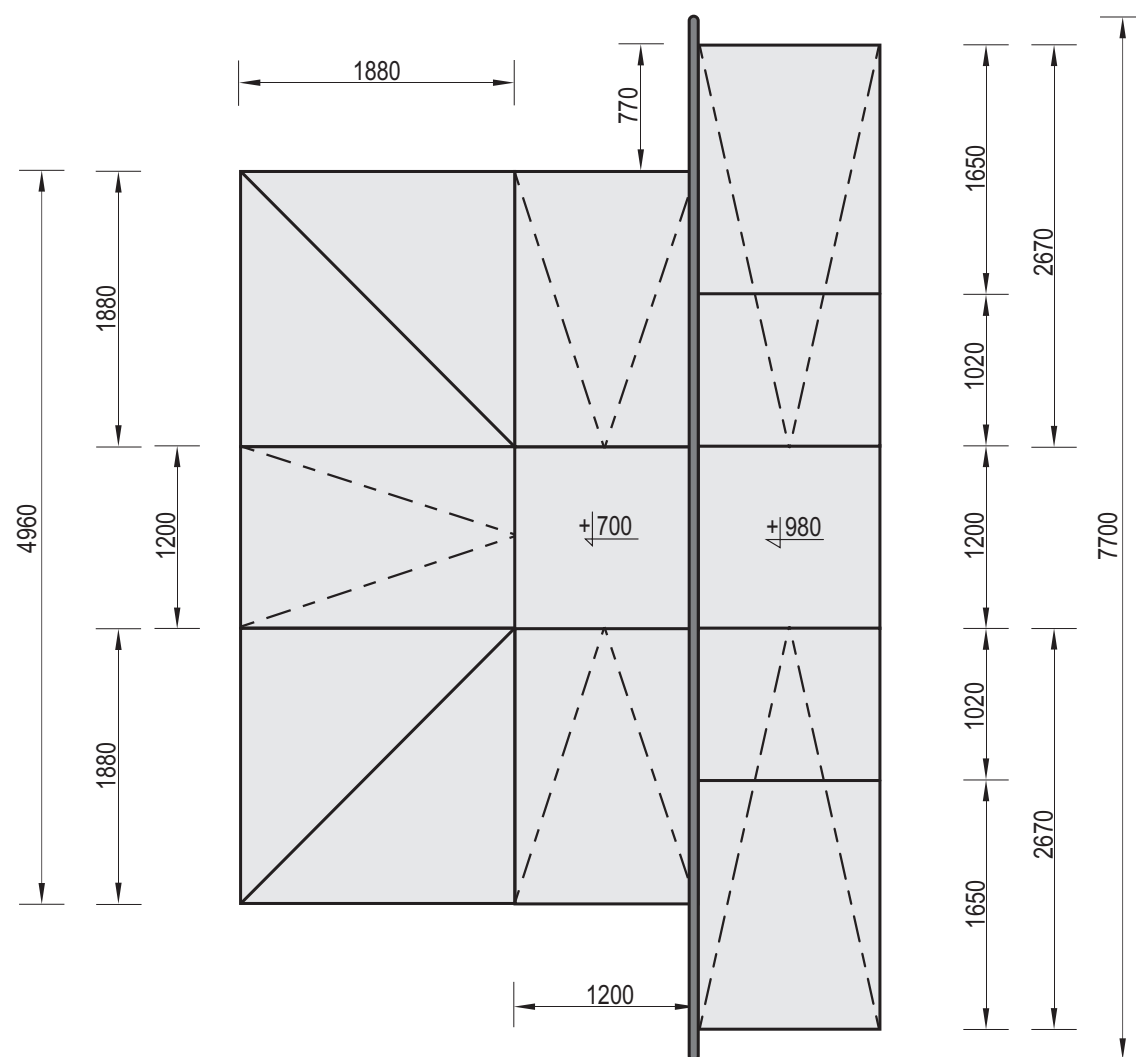
Front view



Side view



Top view



Technical description:

- The set includes: 2x Corner + Box 700 + Box 980 + 3x Bank 700 + 2x Bank 980 + Rail
- Construction made of concrete C35/45 and steel elements - hot dip galvanized.

WARNING ! Children are allowed to use the item only under supervision of adults.



Product Name:
Fun-Box 8

Construction materials:
Concrete of class C35/45, hot dip galvanized steel

Date of create:
2024-05-10

Weight:[kg]
9800

Code:
107870

Notes:

Destination:
Sport

Scale:
1:50