



It shall apply from: 26-03-2024 r.

**THE ASSEMBLY INSTRUCTION OF:
108770 Fun Box 17**



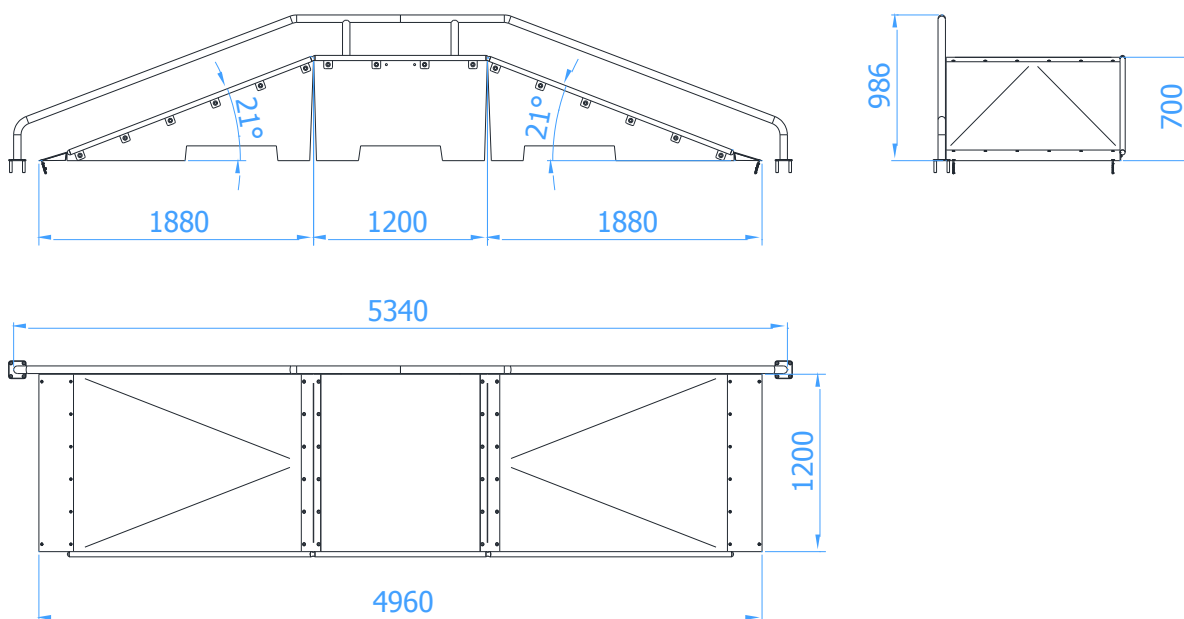


TABLE OF CONTENTS

INTRODUCTION	2
STAGE 1 – Preparatory works – safety zone	3
STAGE 2 – Assembly of the construction	3
1. List of components	3
2. Assembly scheme	4

INTRODUCTION

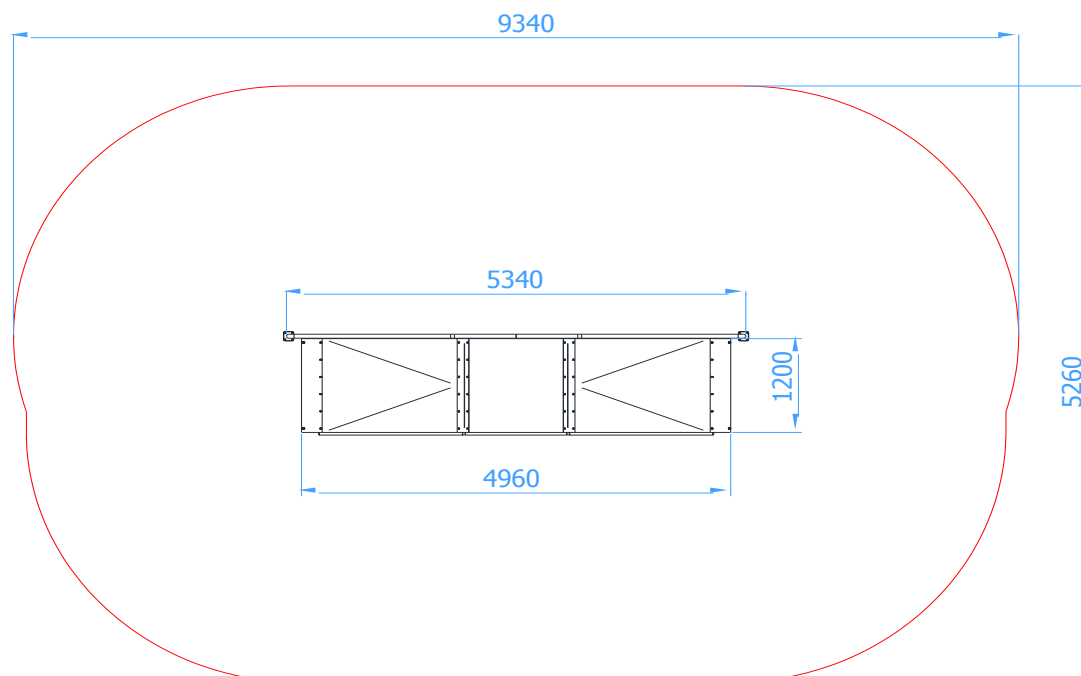
- Overall dimensions: 5,34 x 1,26 x 0,99 m





STAGE 1 – Preparatory works – safety zone

- Secure the assembly site to keep others at a distance
- Set the construction in a designated place having regard to required impact area.



WARNING!

Installation shall be performed in accordance with safety & health standards

STAGE 2 – Assembly of the construction

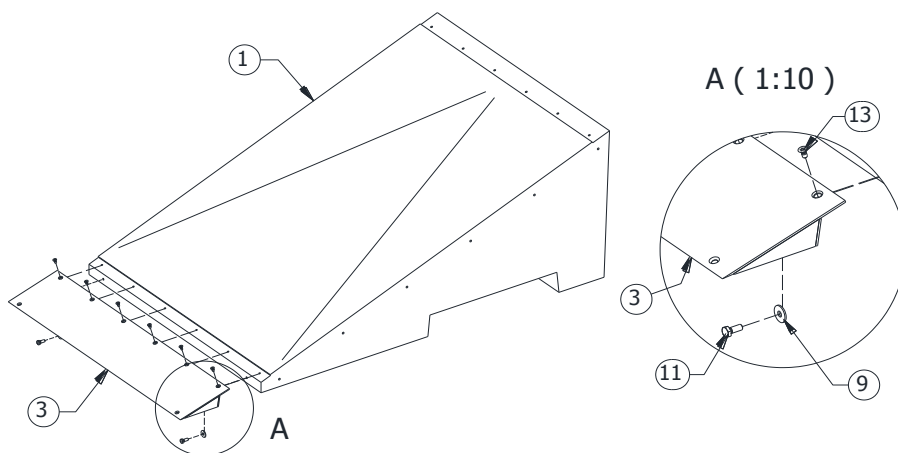
1. List of components

NR	NAZWA CZĘŚCI	OPIS	SZT.	
1	Bank 700		2	151270.00Z
2	Box 700 2S	1200x1200x700	1	160070.02S
3	Stainless steel toe plate	250x1200	2	SN.250.000
4	Side railing for Bank 700		2	SP.BK.002
5	Side railing for Box		1	SP.BX.004 LR
6	Single side Rail 700		1	SP.R70.B1.002
7	Sheet metal connector Bank-Box	139x1200x5	2	SP.Ł.101
8	Countersunk screw	M10 x 20	24	DIN 7991
9	Washer	Ø30xØ10,5x2,5 (M10)	20	DIN 9021
10	Washer	Ø50xØ17x3 (M16)	2	DIN 9021
11	Hexagon head screw	M10 x 25	20	DIN 933
12	Hexagon head screw	M16 x 30	2	DIN 933
13	Countersunk screw - torx	TX45 - M8x16	12	ISO 14581
14	Extension bolt	Ø10x80	4	
16	Countersunk screw	M12 x 30	8	DIN 7991
17	Anchor with thread	Ø18x80 - M12	8	

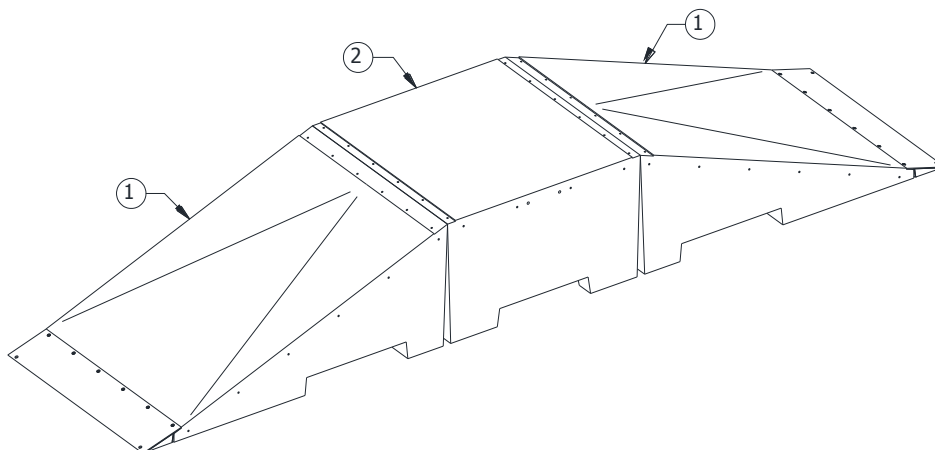


2. Assembly scheme

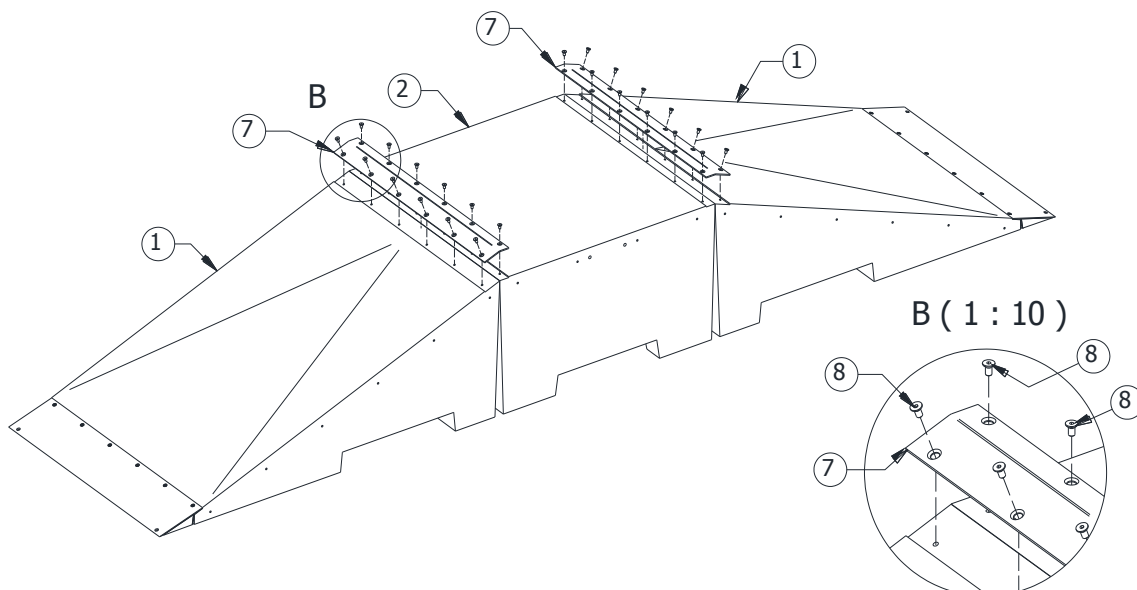
- Screw the steel toe plate (item 3) to the Bank (item 1) by using item 9, 11 and 13.



- Place the concrete elements (item 1, 2) in designated area according to the illustration below:

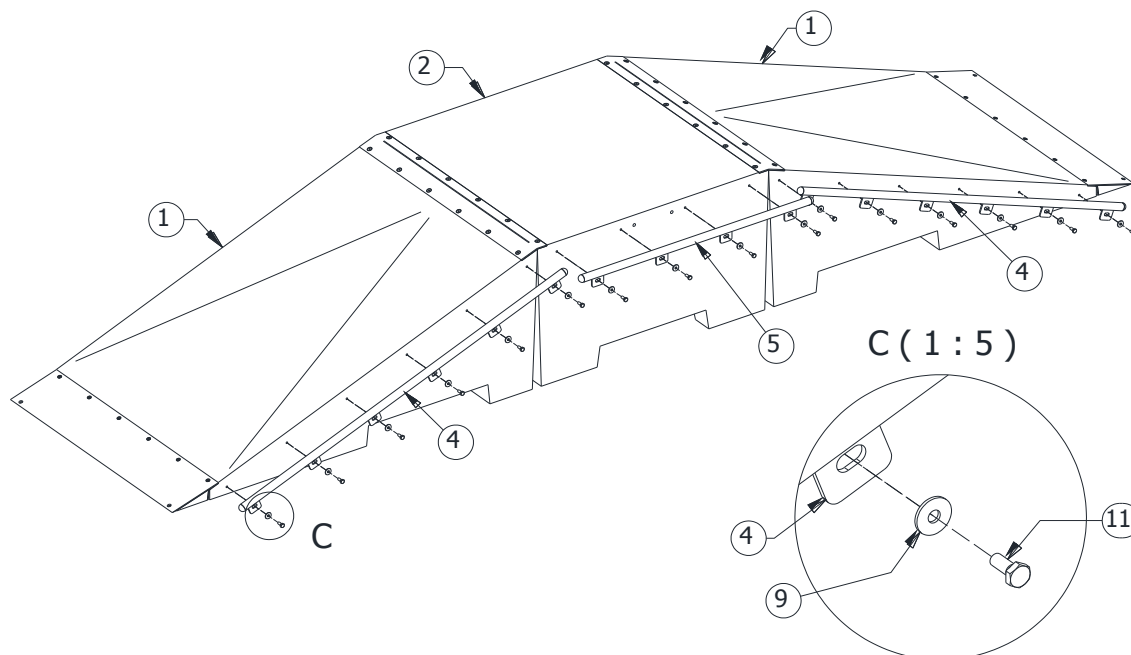


- Connect the upper surfaces of the concrete elements together (poz. 1, 2) with sheet metal connectors (item 7) and screws (item 8).

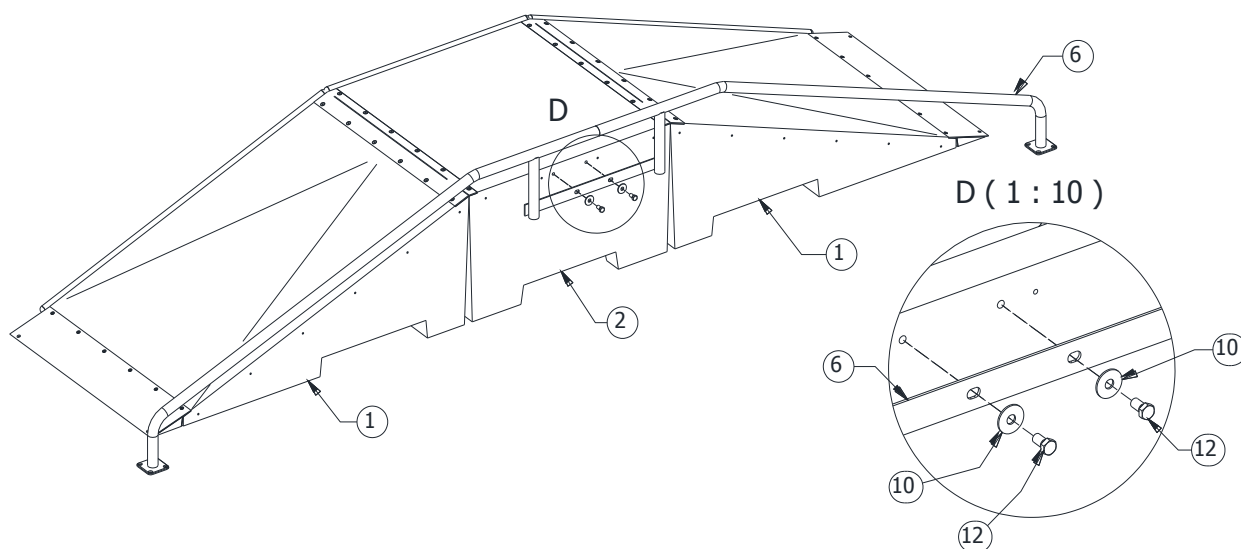




- Screw the side railings (item 4, 5) to the side surfaces of the concrete elements (item 1, 2) by using items 9 and 11.



- Screw the Rail (item 6) to the concrete construction (item 2) by using item 10 and 12. Both ends of the (item 6) shall be screwed to the ground with a chemical anchor and item 16, 17.



- Remove the slacks in joints
- Put the statutory plate