



It shall apply from: **10-04-2017 r.**

**THE ASSEMBLY INSTRUCTION OF:
QUARTER 3
PRODUCT CODE: 109398**



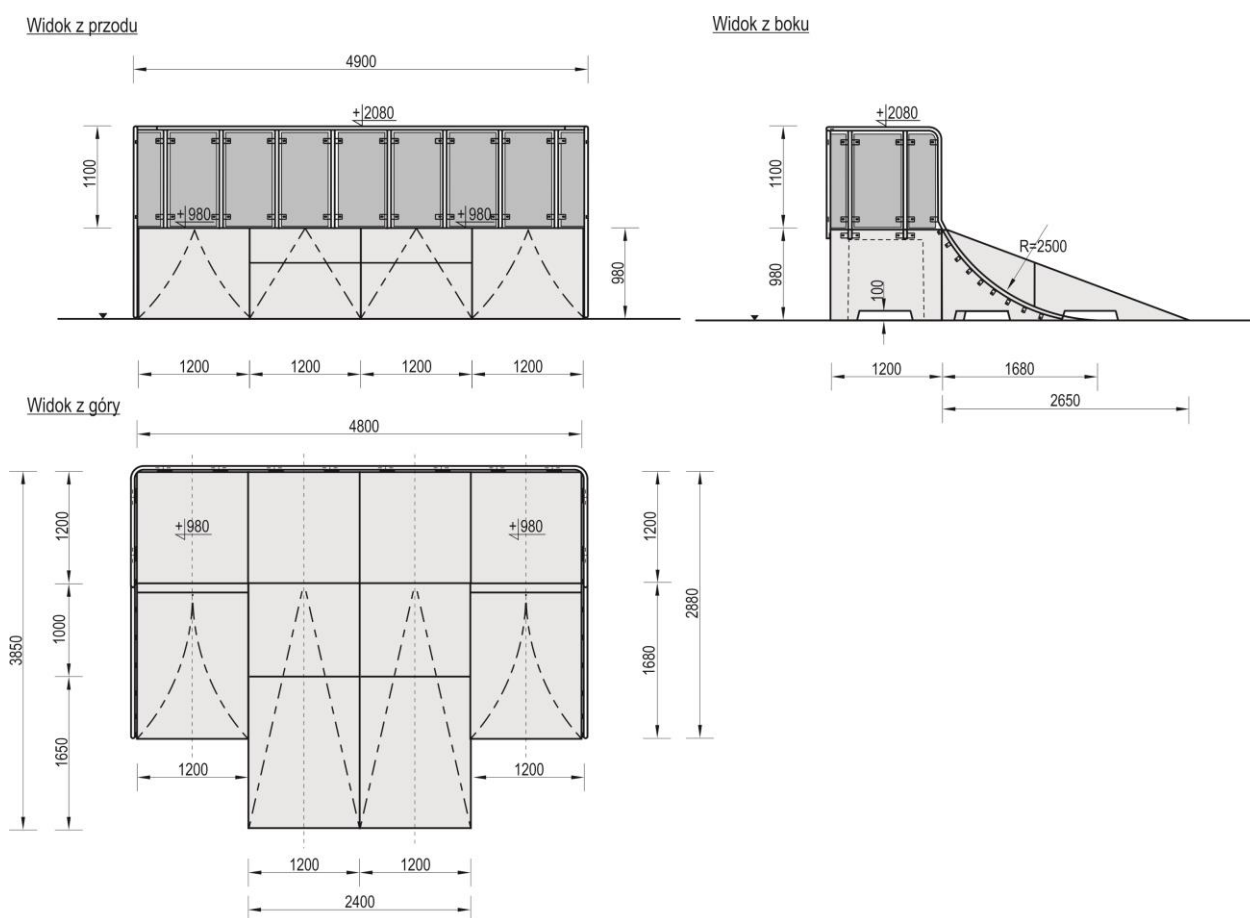


TABLE OF CONTENTS

INTRODUCTION	2
STAGE 1 – Preparatory works – safety zone	3
STAGE 2 – Assembly of the construction	3
1. List of components	3
2. Assembly scheme	4

INTRODUCTION

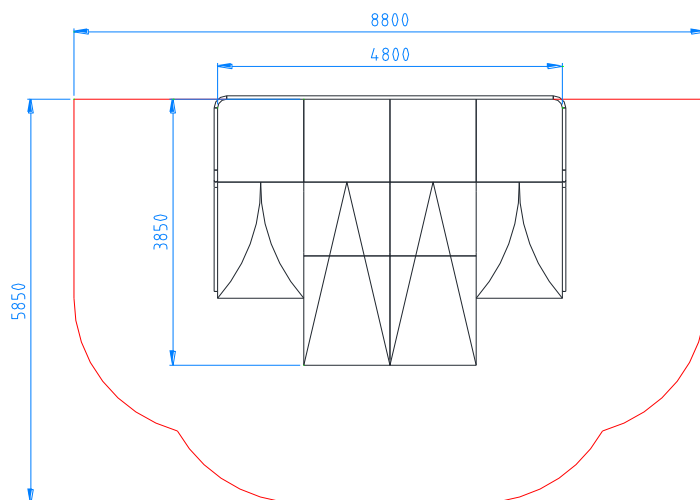
- Overall dimensions: 4,90 x 3,85 x 2,08m





STAGE 1 – Preparatory works – safety zone

- Secure the assembly site to keep others at a distance
- Set the construction in a designated place having regard to required impact area.



WARNING!

Installation shall be performed in accordance with safety & health standards

STAGE 2 – Assembly of the construction

1. List of components

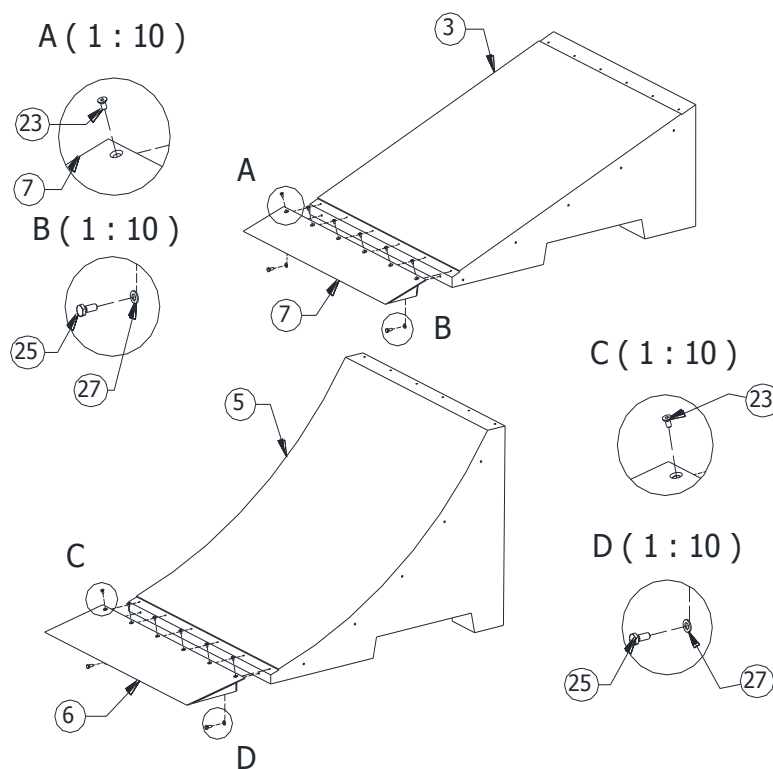
NO	NAME OF COMPONENT	DIMENSIONS	QTY.	NORM
1	Box 980 2S	1200x1200x980	2	160098.02S
2	Box 980 3S	1200x1200x980	2	160098.03S
3	Bank 600		2	151260.00Z
4	Additional Bank 980		2	151298.0DB
5	Ramp 980		2	111298.00R
6	Stainless steel toe plate for Ramp	350x1200	2	SN.350.000
7	Stainless steel toe plate for Bank	250x1200	2	SN.250.000
8	Connector Bank 980	142x1200x5	2	SP.Ł.102
9	Steel sheet for Bank-Box	139x1200x5	2	SP.Ł.101
10	Connector of Ramp-Box 980	1 200x155x5	1	SP.Ł.106 L
11	Connector of Ramp-Box 980	1 200x155x5	1	SP.Ł.106 R
12	Left side barrier		1	SP.BBL.000
13	Right side barrier		1	SP.BBP.000
14	Double back barrier - left		1	SP.BT2L.000
15	Double back barrier - right		1	SP.BT2P.000
16	Side rail for Ramp 980		2	SP.RP.006
17	Side rail of Bank 980 - reduced		1	SP.BK.007L
18	Side rail of Bank 980 - reduced		1	SP.BK.007R
19	Steel sheet plate of barrier	1 065x498x3	9	SP.BB.102
20	Steel sheet plate of barrier	1 065x270x3	2	SP.BB.101
21	Corner sheet plate of barrier	1 065x331x3	2	SP.BB.103
22	Carriage bolt	M10 x 25	52	DIN 603
23	Countersunk screw - torx	TX45 - M8x16	24	ISO 14581
24	Countersunk screw	M10 x 20	94	DIN 7991



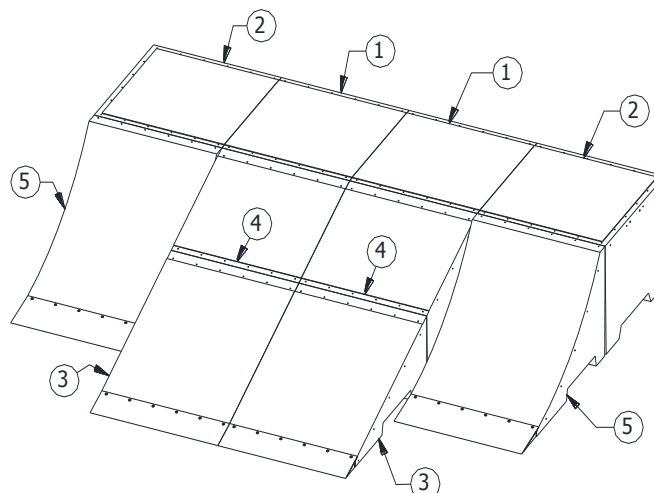
25	Hexagonal head screw	M10 x 25	32	DIN 933
26	Hexagonal head screw	M16 x 25	8	DIN 933
27	Washer	Ø20xØ10,5x2 (M10)	52	DIN 125
28	Washer	Ø50xØ17x3 (M16)	8	DIN 9021
29	Washer	Ø30xØ10,5x2,5 (M10)	32	DIN 9021
30	Nut	M10	52	DIN 934
31	Screw cover	M10-M12	52	
32	Screw cap	M10-M12	52	
33	Expansion bolt	Ø10x80	8	

2. Assembly scheme

- Screw the steel plates of point 6 to the Ramps of point 5. Screw the steel plates of point 7 to the Banks of point 3.

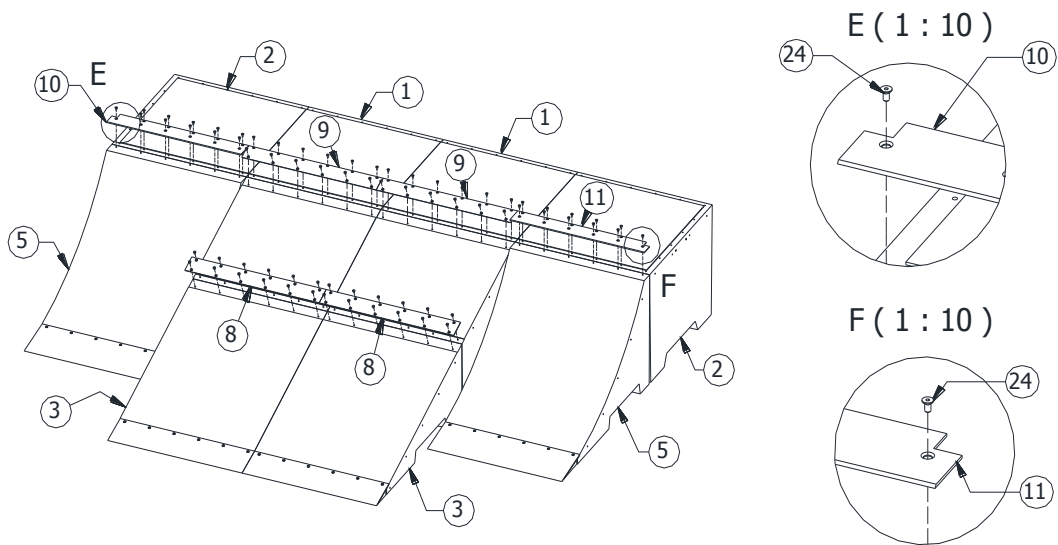


- Set the concrete elements in a right place, according to the figure below:

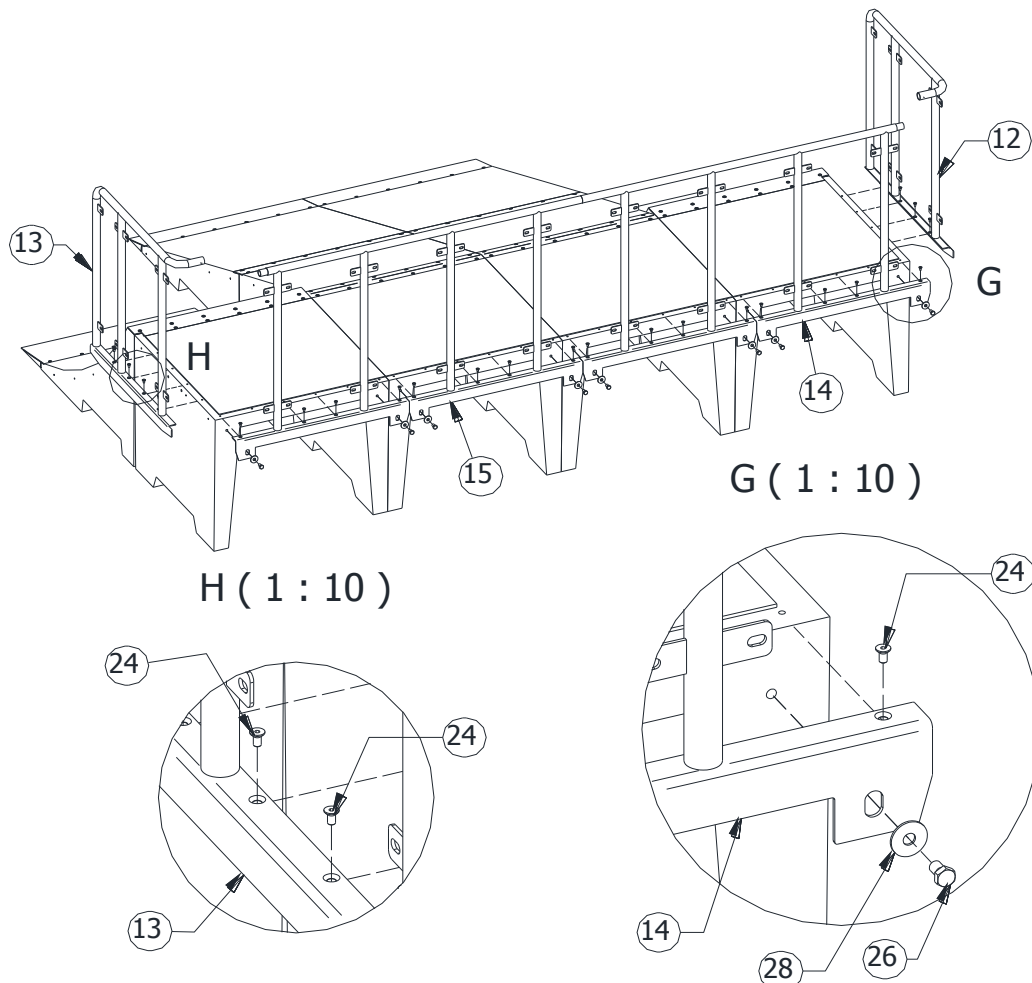




- Screw the connecting steel plates (point 8-11) with screws of point 24.

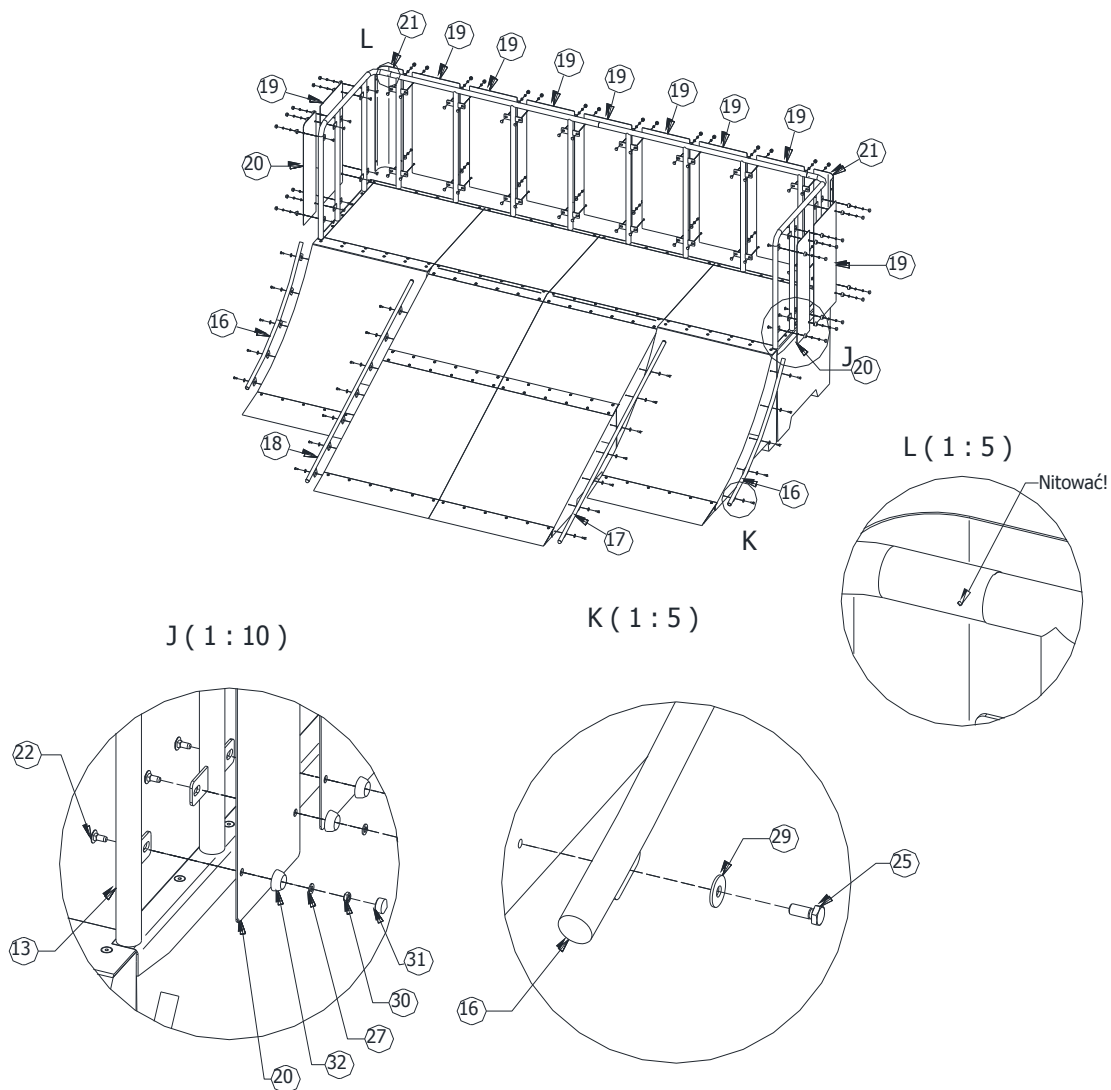


- Screw the back barriers (point 14-15) to the concrete by using (from the top) screws of point 24, (from the back) screws and washers of point 26 and 28. Screw the side barriers (point 12-12) to the concrete from the top by using screws of point 24.





- Rivet the connections of particular barriers.
- Screw the steel sheets (point 19-21) to the barriers by using points: 22, 32, 27, 30, 31.
- Screw the side rails (point 16-18) to the concrete with screws and washers of points 25, 29.



- Fix the steel toe plates to the ground by using bolts of point 33.
- Remove the slacks in joints.
- Put the statutory plate.