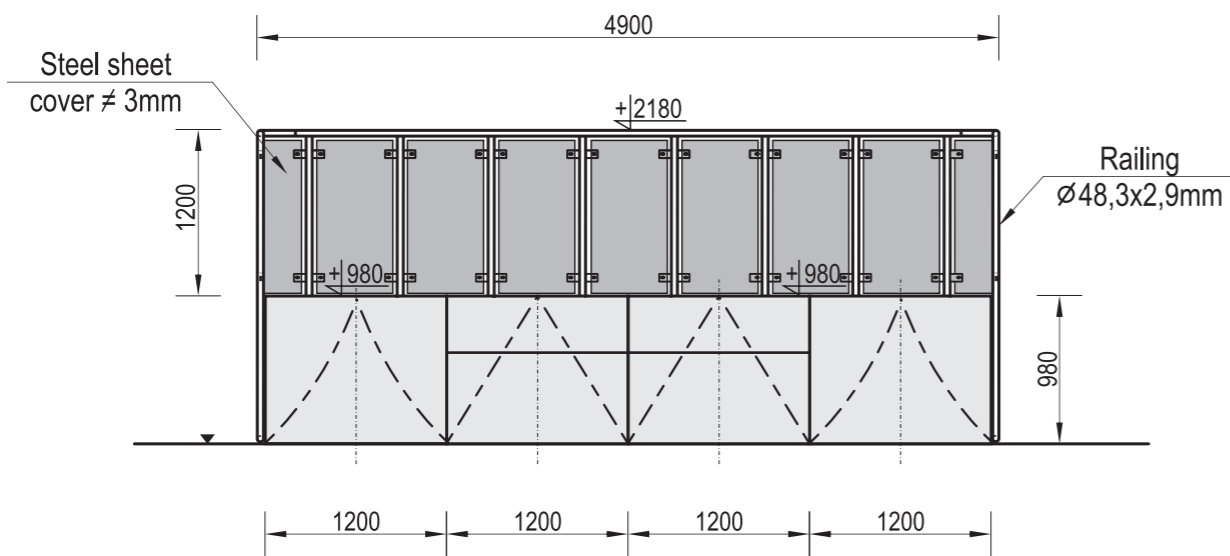
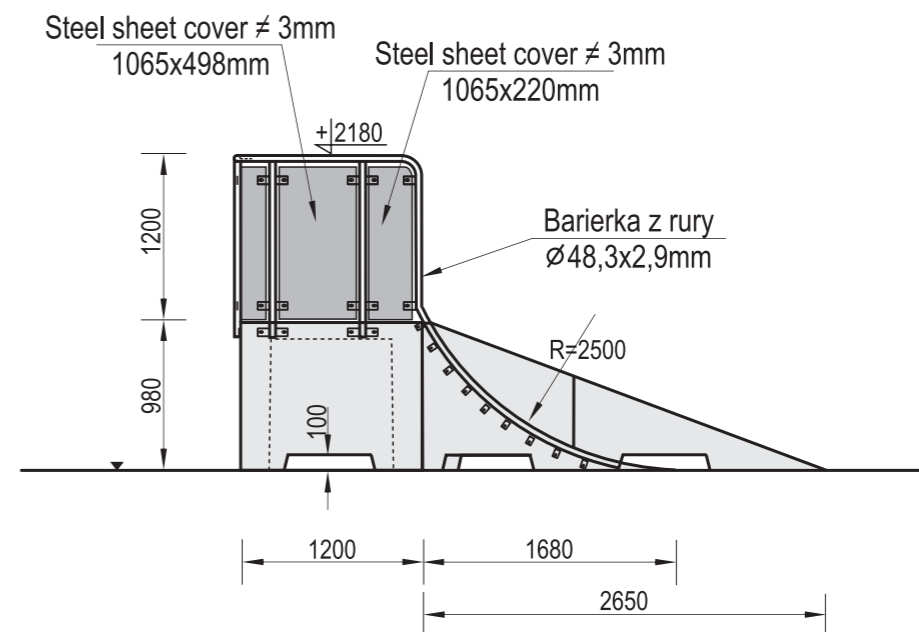


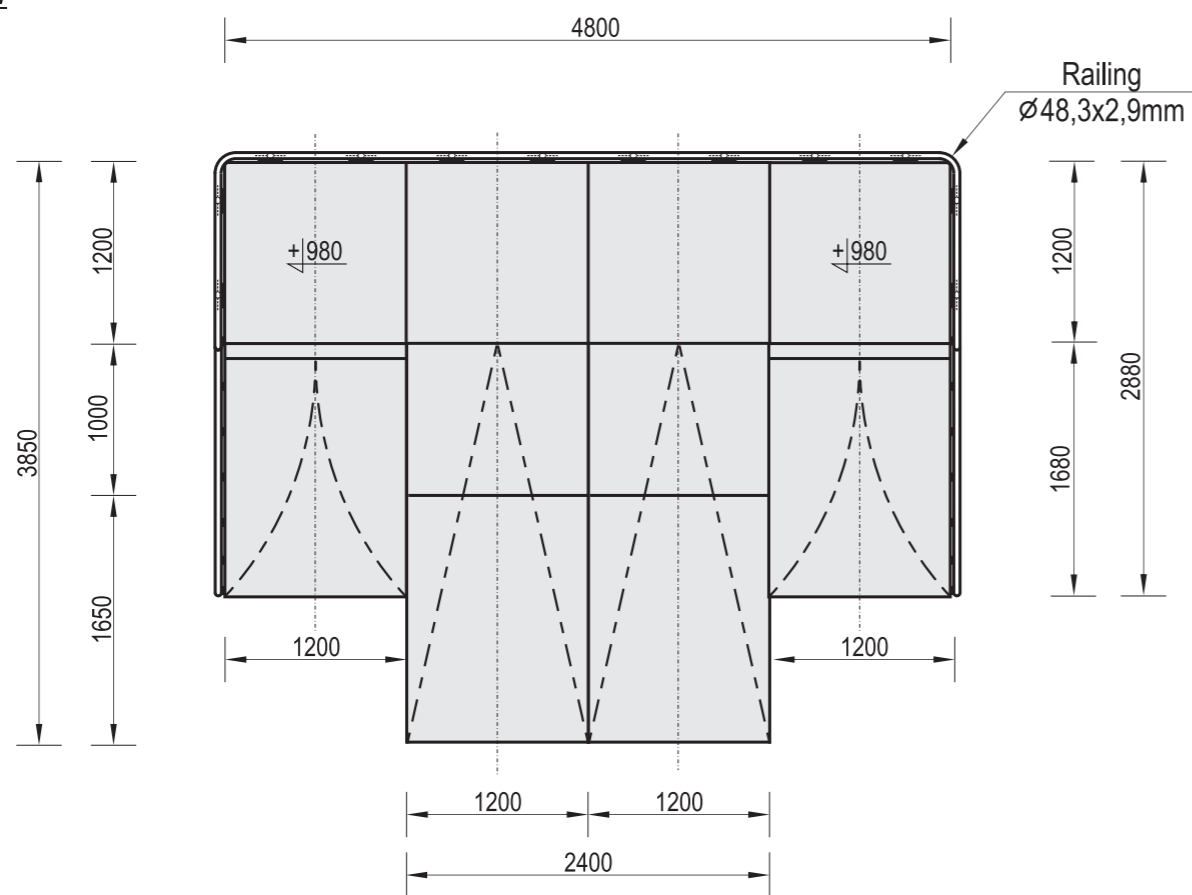
Front view



Side view



Top view



**Technical description**

- The set includes: 4x Box 980 + 2x Bank 980 + 2x Ramp 980 + Railing
- Construction made of concrete class C25/30 and hot dip galvanized steel elements

**WARNING ! Children are allowed to use the item only under supervision of adults.**



Product name:  
Quarter 3

Material:  
Concrete of class C25/30, hot dip galvanized steel

Date create:  
2020-10-20

Weight:[kg]  
8750

Code:  
109398

Notes:

Destination:  
Sport

Scale:  
1:50