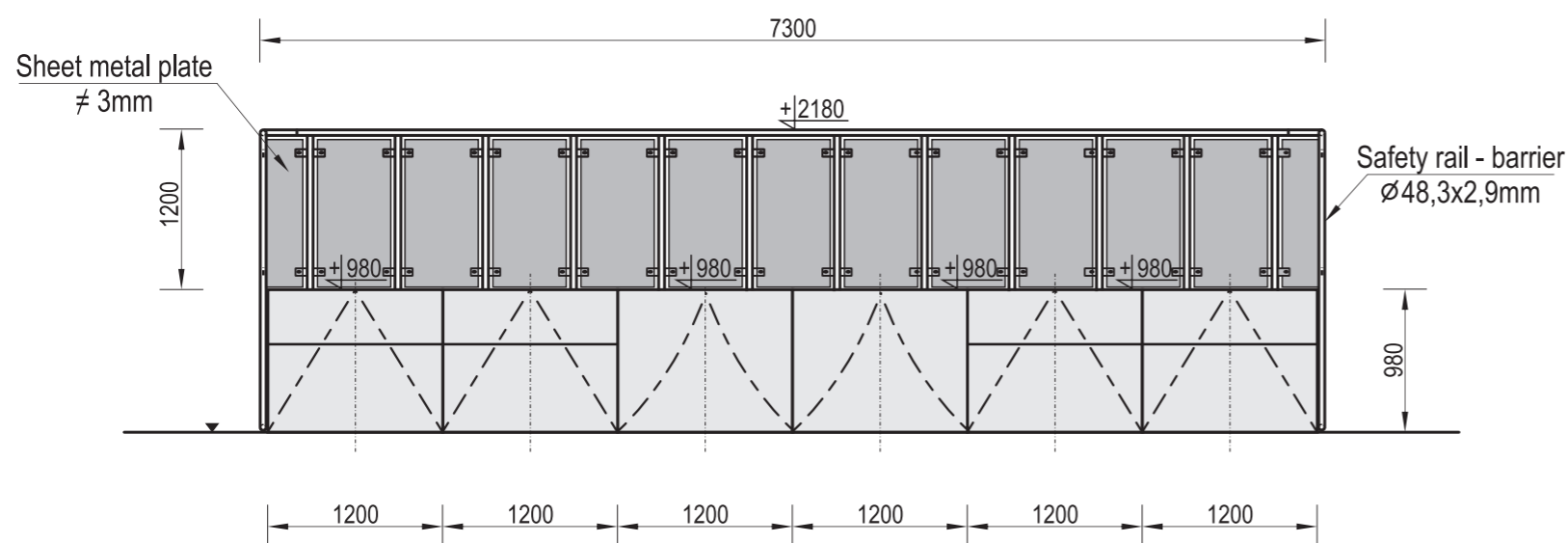
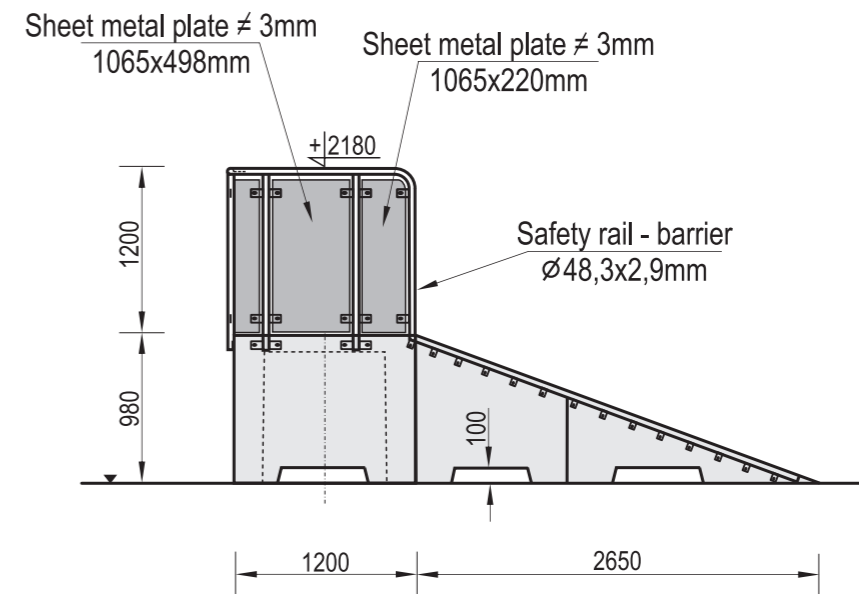


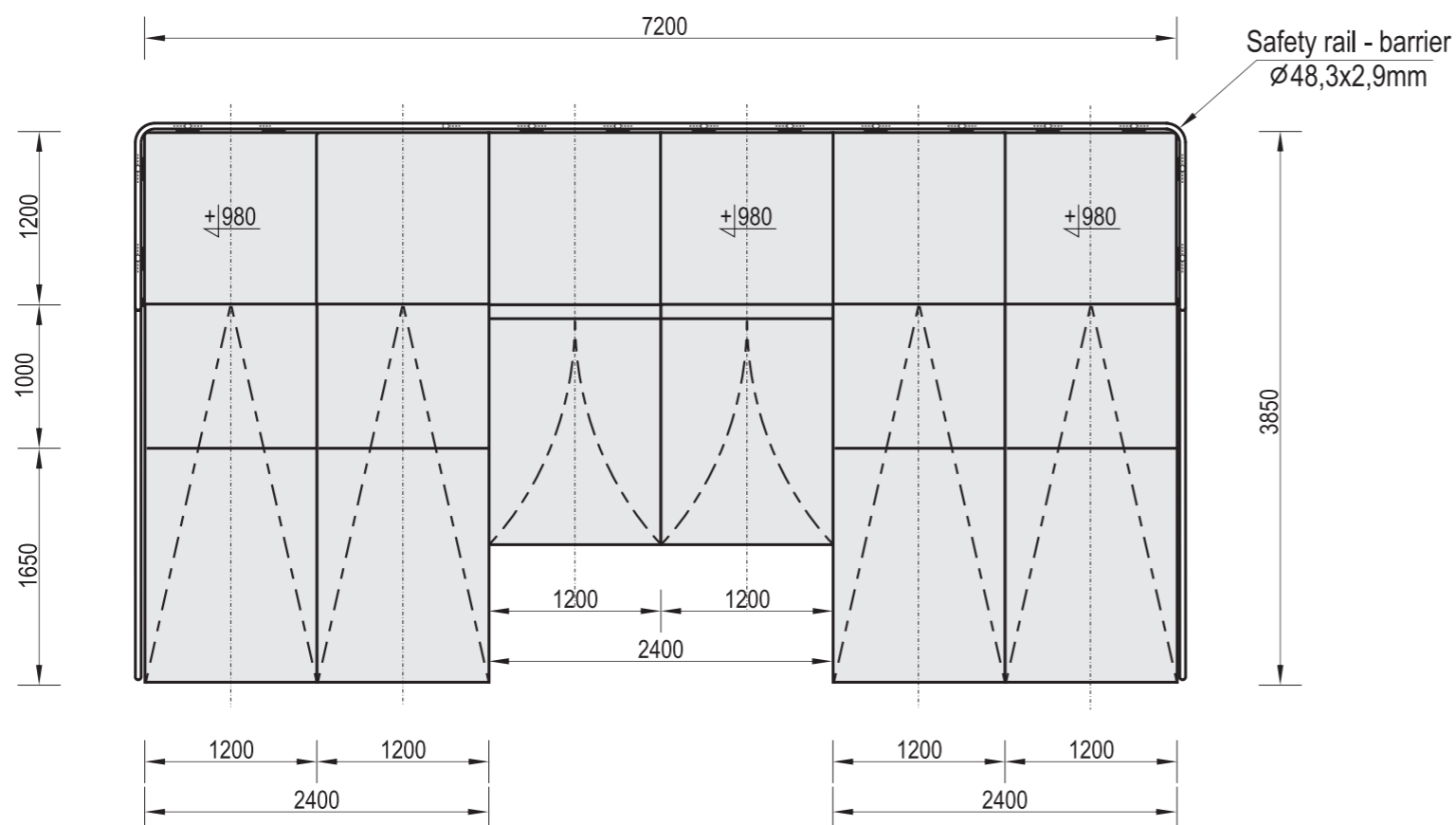
Front view



Side view



Top view



**Technical description**

- The set includes: 6x Box 980 + 4x Bank 980 + 2x Ramp 980 + Barrier
- Construction made of concrete class C25/30 and hot dip galvanized steel elements

**WARNING ! Children are allowed to use the item only under supervision of adults.**



|  |                                   |                        |                              |                       |
|--|-----------------------------------|------------------------|------------------------------|-----------------------|
| Product name:<br><b>Quarter 5</b>                                      | Date create:<br><b>2020-10-20</b> | Code:<br><b>109598</b> | Destination:<br><b>Sport</b> | Scale:<br><b>1:50</b> |
| Material:<br><b>Concrete of class C25/30, hot dip galvanized steel</b> | Weight:[kg]<br><b>13500</b>       | Notes:                 |                              |                       |