

TECHNICAL DATA SHEET

POLE CLIMB

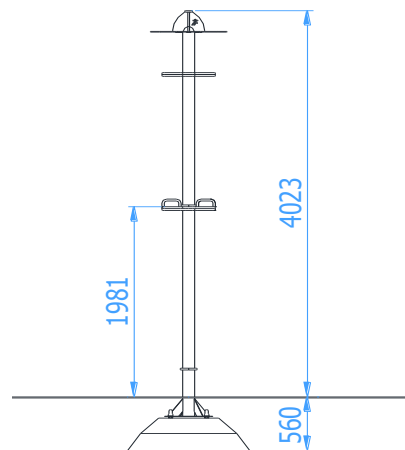
Catalogue number: 11800

It shall apply from: 07-02-2020

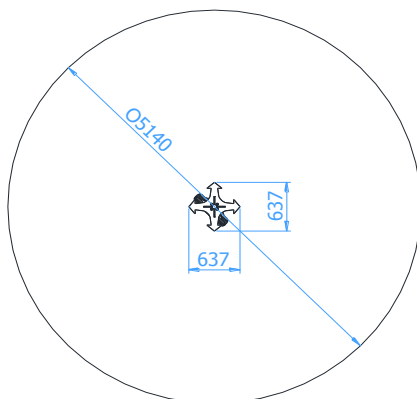
Max. free fall height:	2,80 m
Product Dimensions: (length x width x height)	0,64 x 0,64 x 4,03 m
Impact area (length x width)	5,14 x 5,14 m
Free zone	20,8 m ²



Product dimensions



Impact area dimensions



Acceptable shock-absorbing surface:

- Turf
- Bark – grain size 20 do 80 mm, min. depth 200 mm + 100mm
- Woodchip – grain size 5 do 30 mm, min. depth 200mm + 100mm
- Sand – grain size 0,2 do 2 mm, min. depth 200mm + 100mm
- Gravel – grain size 2 do 8 mm, min. depth 200 mm+ 100mm
- Synthetic surfaces in accordance whit tested HIC (EN 1177)

The impact attenuating surfacing shall be installed on the whole of impact area.

A loose-fill safety surface shall be 100mm thicker than min. depth indicated above.

Technical description

- The device is designed for climbing with using attached handles
- Construction made of closed, stainless steel profile: 100x100x3mm,
- Handles made of double HDPE sheet 19mm thick
- All steel elements are protected against corrosion and painted with an acrylic lacquer
- The set includes a foundation made of concrete of class C25/30 which make installation easier

TECHNICAL DATA SHEET

Product visualization

