



It shall apply from: **12-06-2018 r.**

THE ASSEMBLY INSTRUCTION OF:
BUMP
PRODUCT CODE: **121270**



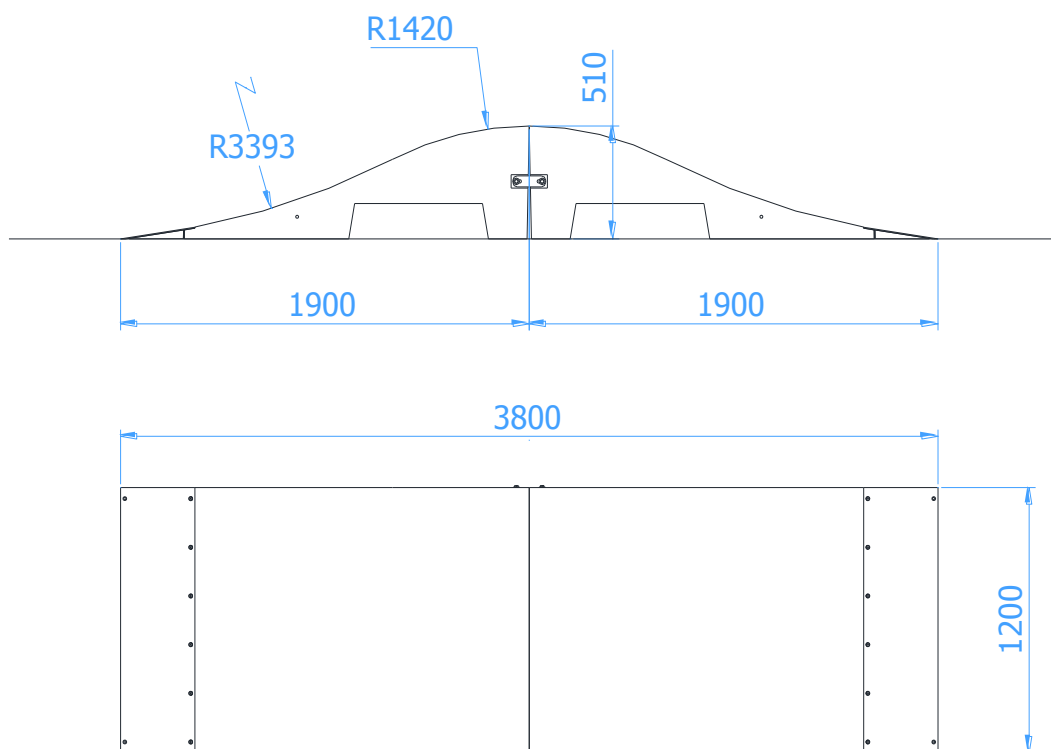


TABLE OF CONTENTS

INTRODUCTION	2
STAGE 1 – Preparatory work – safety zone	3
STAGE 2 – Assembly of the construction	3
1. List of components	3
2. Assembly scheme	4

INTRODUCTION

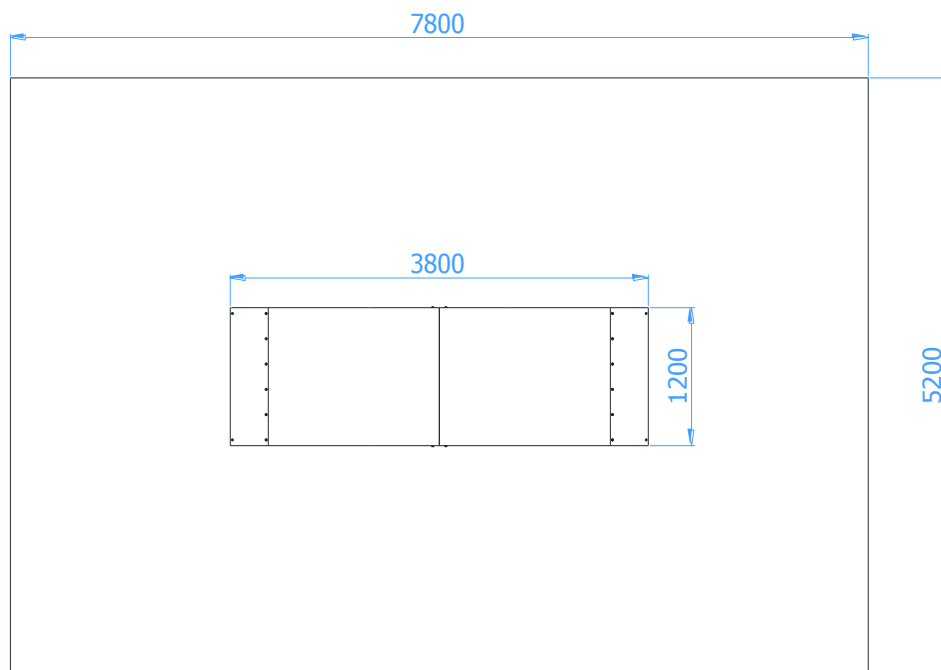
- Overall dimensions: 3,80 x 1,20 x 0,51 m





STAGE 1 – Preparatory work – safety zone

Secure the assembly site to keep others at a distance
Set the construction in a designated place having regard to required impact area.



WARNING !

Installation shall be performed in accordance with safety & health standards

STAGE 2 – Assembly of the construction

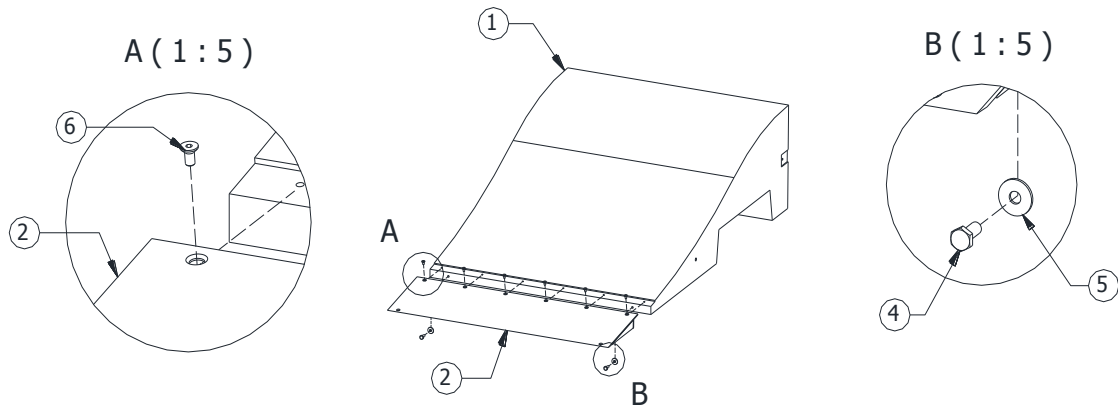
1. List of components

NO	NAME OF COMPONENT	DIMENSIONS	QTY.	NORM
1	Bump		2	
2	Stainless steel Toe Plate	350x1200	2	SN.350.000
3	Connector of Olly Box	153x50x5	2	SP.Ł.104
4	Hexagon head screw	M10 x 25	8	DIN 933
5	Washer	Ø30xØ10,5x2,5 (M10)	8	DIN 9021
6	Countersunk screw torx	TX45 - M8 x 16	12	ISO 14581
7	Plastic expansion anchor	Ø10x80	4	

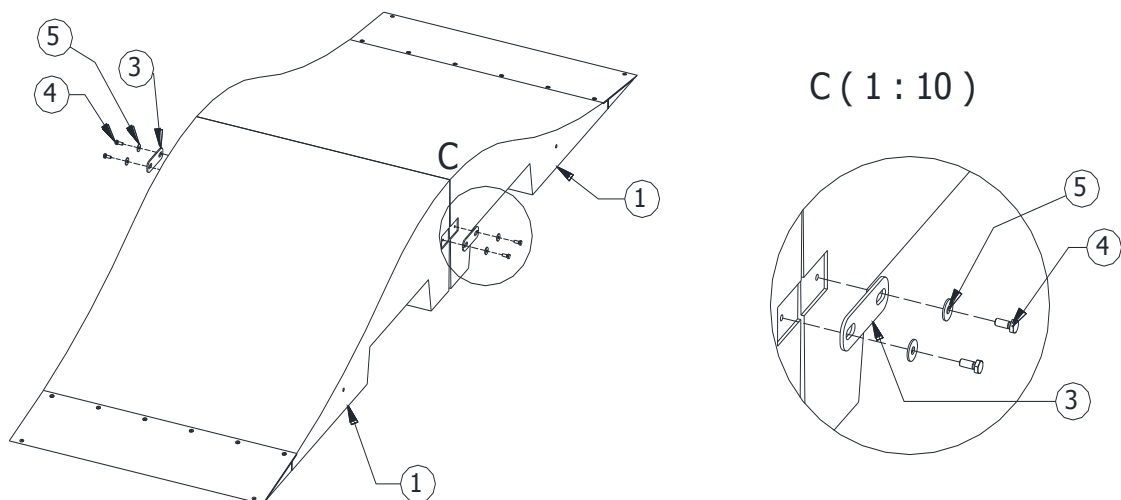


2. Assembly scheme

- Screw the steel Toe Plates (point 2) to the Bumps (point 1) by using screws and washers of point 6, 4 and 5.



- Set the concrete elements in accordance to the figure below:
- Screw the construction from the side by using components of point 3, 4 and 5.



- All steel Toe Plates shall be fixed to the ground in corners with expansion anchors of point 7
- Remove the slacks in joints.
- Put the statutory plate