

Technical Data Sheet



Product name:
Curb for box 700

Date create:
2021-10-05

Code:
132070

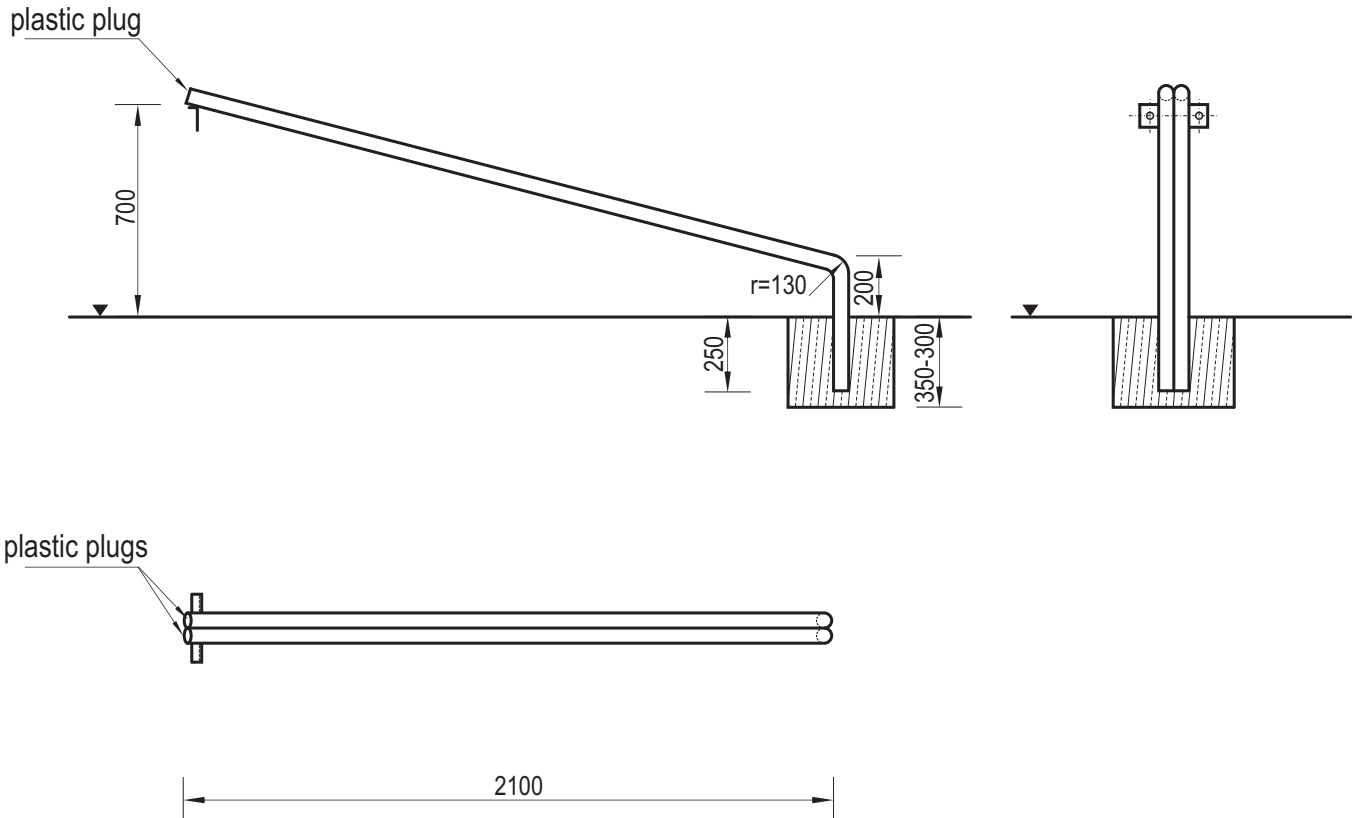
Destination:
Sportowe

Skala:
1:25

Construction materials:
Concrete of class C 25/30, hot dip galvanized steel

Weight:
22

Notes:



Technical description:

- Construction made of steel pipes \varnothing 51x2,9mm
- All steel elements are hot dip galvanized
- All pipes ends protected with plastic plugs
- Excavate the hole for one end of pipe and fill it in with concrete of class C25/30

WARNING ! Children are allowed to use the item only under supervision of adults.