

Technical Data Sheet



Product name:
Slanted Skatepark Curb

Construction materials:
Concrete of class C 25/30, hot dip galvanized steel

Date create:
2015-04-13

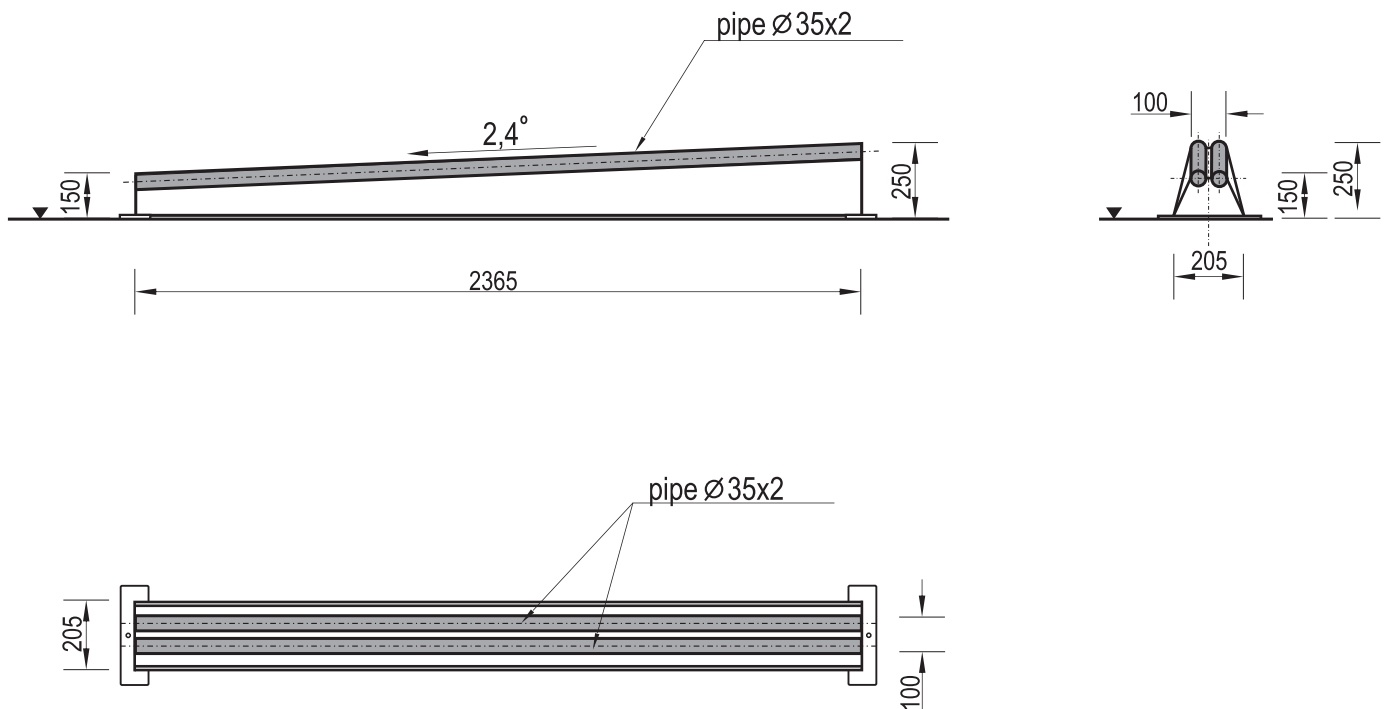
Weight:
200 kilos

Code:
132458

Notes:
Length 2,37m

Destination:
Skate Park

Scale:
1:25



Technical description:

- Construction made of steel case filled with concrete class C 25/30 and steel pipes
- All steel elements are hot dip galvanized
- the device can be connected to other type of Curbs
- ends of pipes secured with caps
- the truck angle - 2,4°

WARNING ! Children are allowed to use the item only under supervision of adults.