



Product name:  
**Quarter Pipe Ramp - width 360 cm**

Date create:  
**2018-02-01**

Code:  
**141808**

Destination:  
**Skate Park**

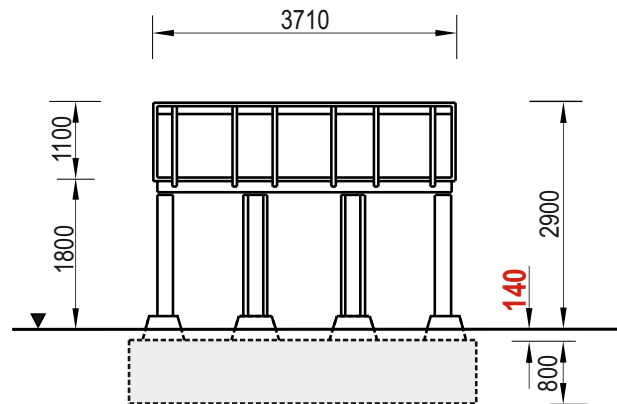
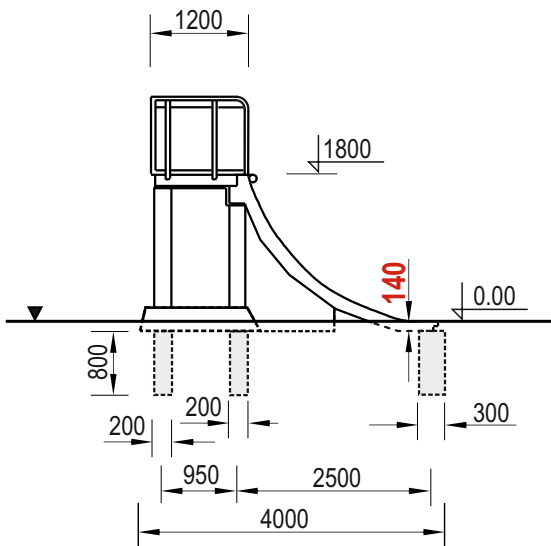
Scale:  
**1:25**

Construction materials:  
**Concrete of class C 25/30, hot dip galvanized steel**

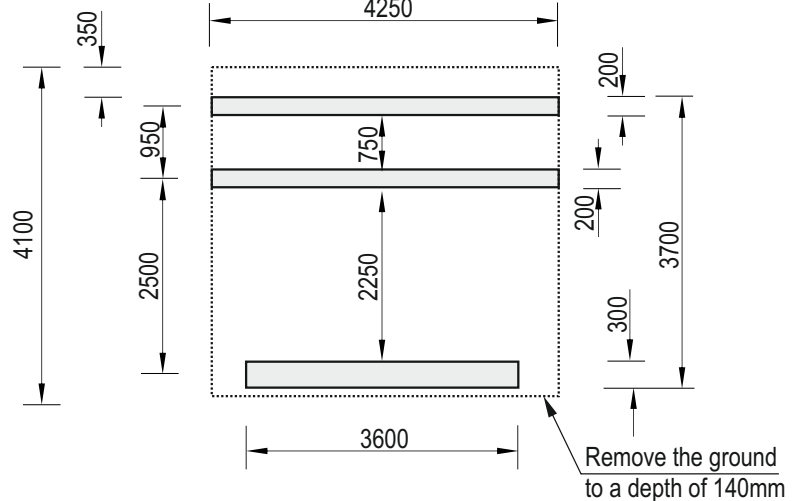
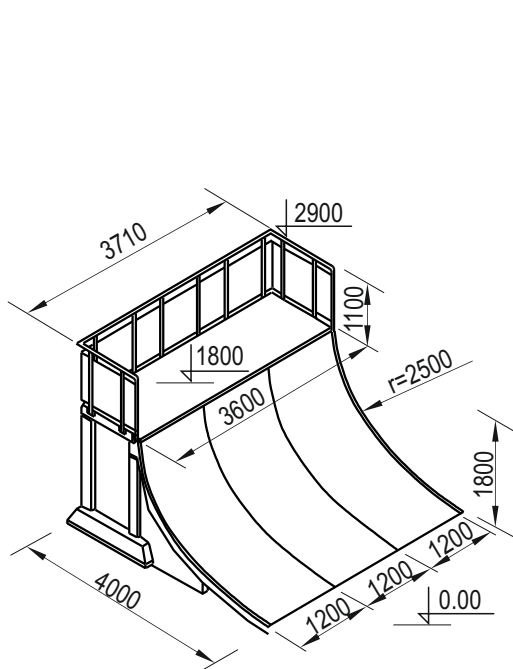
Weight:  
**9350**

Notes:

The device intended for the installation on a skate park surface, foundations required.



### Foundations setup



### Technical description:

- Construction made of concrete of class C25/30, steel pipes and steel sheet,
- Upper barrier made of pipe  $\varnothing 48,3 \times 2,9$  mm and steel sheet 3 mm,
- Side rails made of pipes  $\varnothing 35 \times 2$  mm,
- All steel elements protected against corrosion (hot dip galvanized),
- The equipment is certified according to PN-EN 14974+A1/2010 Norm

**WARNING !** The equipment shall be used in accordance with its intended purpose