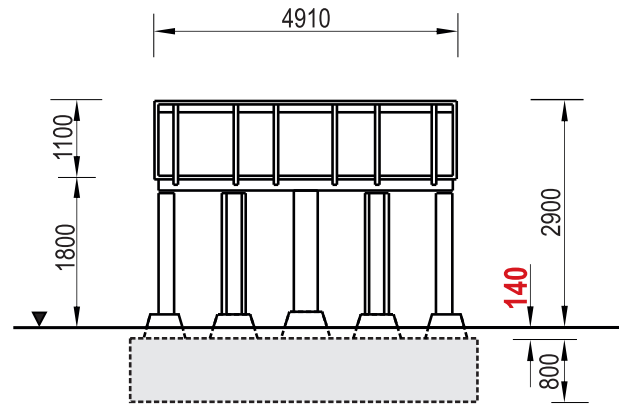
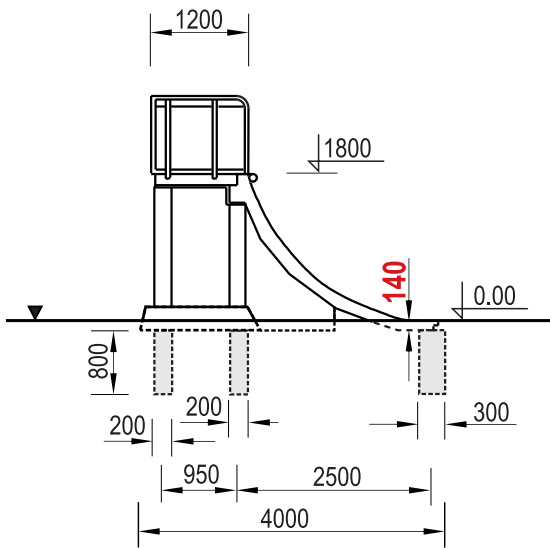


Technical Data Sheet

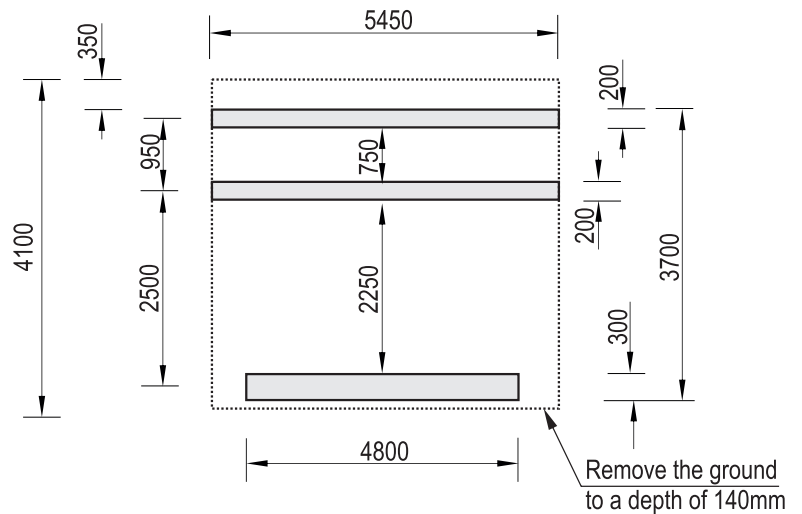
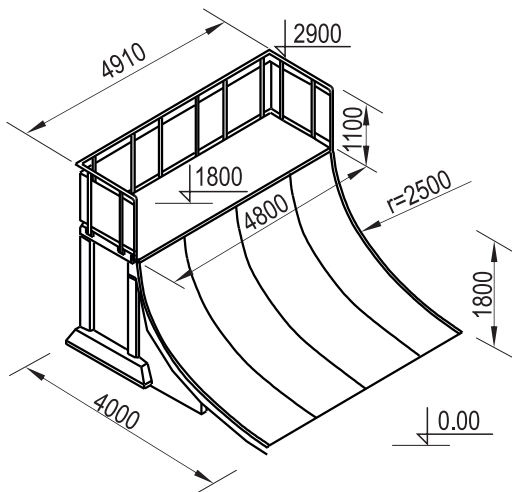


Product name: Quarter Pipe Ramp - width 480 cm	Date create: 2018-02-01	Code: 141848	Destination: Skate Park	Scale: 1:25
Construction materials: Concrete of class C 25/30, hot dip galvanized steel	Weight: 11960	Notes:		

The device intended for the installation on a skate park surface, foundations required.



Foundation setup



Technical description:

- Construction made of concrete of class C25/30, steel pipes and steel sheet,
- Upper barrier made of pipe \varnothing 48,3x2,9mm and steel sheet 3mm,
- Side rails made of pipes \varnothing 35x2mm,
- All steel elements protected against corrosion (hot dip galvanized),
- The equipment is certified according to PN-EN 14974+A1/2010 Norm

WARNING ! The equipment shall be used in accordance with its intended purpose