

Assembly instruction



Product name:
Concrete Skate Bank Ramp - h 70 cm

Date create: 2014-03-22
Code: 151270

Destination:
Sport

Notes:
Freestanding

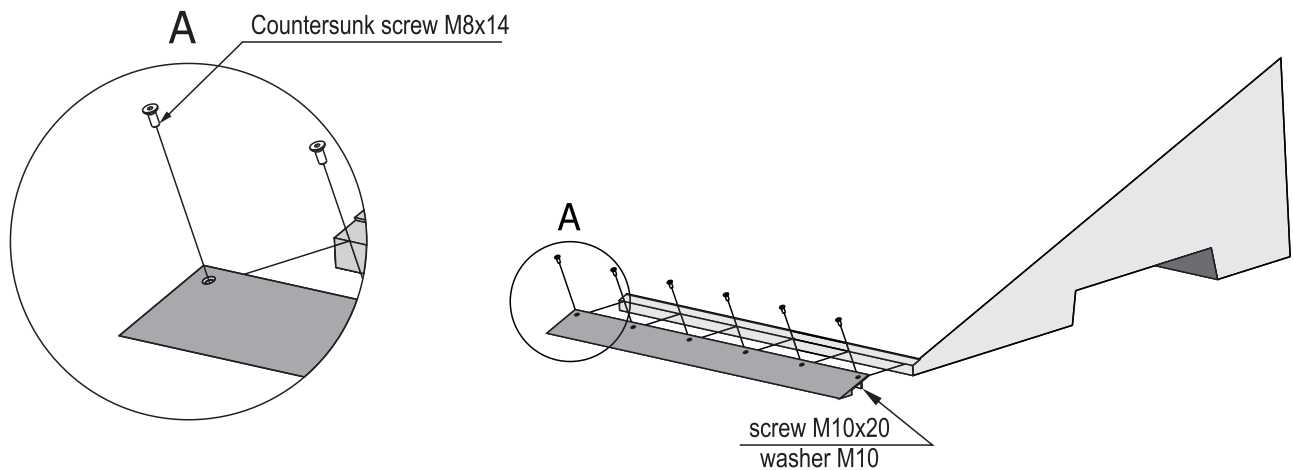
General principles

The device shall be mounted in accordance with the site layout plan or with the following principles:

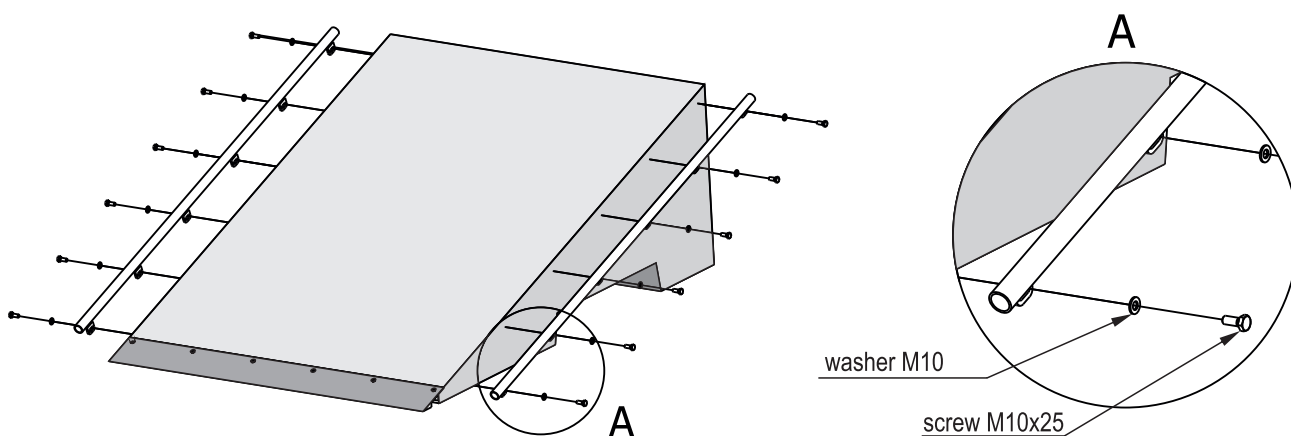
- Secure the assembly site to keep others at a distance
- Designate a precise location of the assembly having regard to appropriate safety zones of all other devices.
- The device shall be mounted in consideration of an appropriate space of safety using of other, adjacent equipment, in accordance with the rules laid down in European Standard PN-EN 14974+A1:2010.
- During the assembly works, follow the original assembly instruction of the particular equipment.
- The item shall be mounted on a level ground, immediately after delivery to the mounting location.
- The installation shall be performed by using appropriate tools and technical means.

Assembly method

1. The assembly of the Bank shall start with planning of placing the device in area, having regard to its impact area (if determined) For this purpose use a tape measure, having regard to routes around the item.
2. Set the construction in the designated place, on a leveled ground.
3. Screw the side rails to the sides of the Bank by using screws M10x25 and washers M10.



Rys. 1 Assembly of the stainless steel plate.



Rys. 2 Assembly of the side rails.

4. After the installation, level the ground around the table and remove the assembly tools.

WARNING ! Children are allowed to use the item only under supervision of adults.