

## RAMP 1250 – width 4,8m

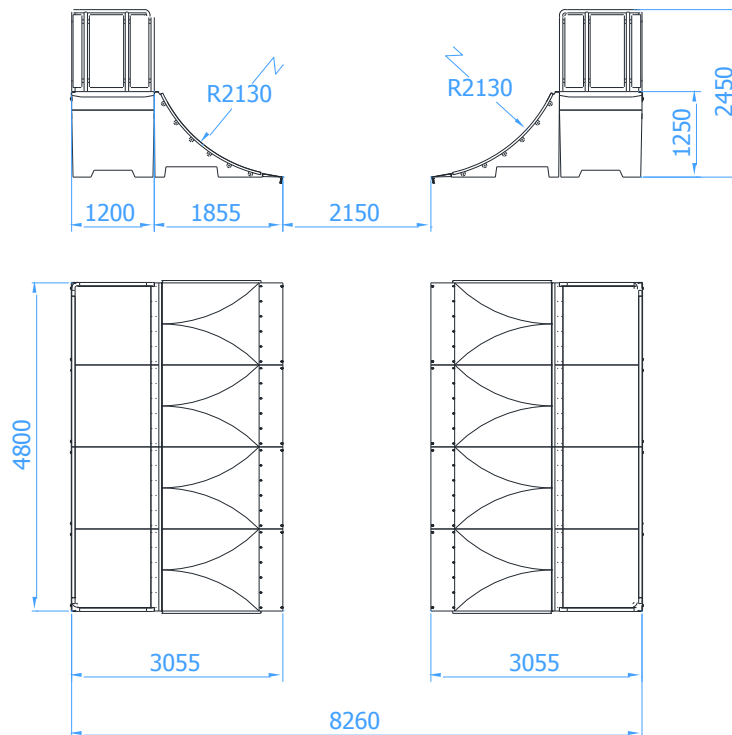
Catalogue number: 194812

It shall apply from: 06-03-2023

**Product dimensions**  
(length x width x height) 8,26 x 4,80 x 2,45 m



### Product dimensions:



### Technical description

- Construction made of concrete of class C25/30,
- Barrier made of steel pipe  $\varnothing 48,3 \times 2,9$  mm and sheet metal 3 mm,
- Edge pipe made of pipe  $\varnothing 35 \times 2$  mm,
- The Ramp requires foundations of concrete of at least of class C16/20,
- The concrete elements are protected against weather conditions effects by impregnation preparation and painted with PILBET acrylic paint.