

SEESAW

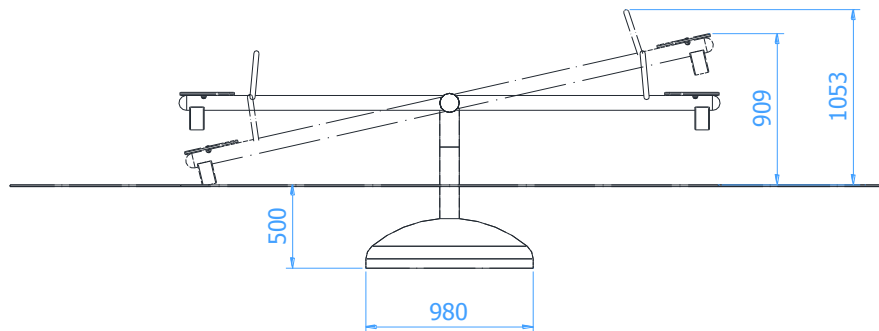
Catalogue number: 2230

It shall apply from: 06-06-2018

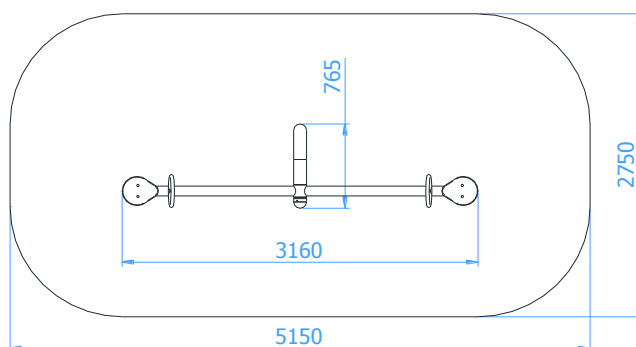
Max. free fall height:	0,91 m
Product Dimensions: (length x width x height)	3,16 x 0,77 x 1,06 m
Impact area dimensions: (length x width)	5,15 x 2,75 m
Free zone:	27 m ²



Product dimensions



Impact area dimensions



Permissible impact attenuating surface

- Turf
- Bark – grain size 20 do 80mm, min. depth 200
- Woodchip – grain size 5 do 30 mm, min. depth 200mm
- Sand – grain size 0,2 do 2 mm, min. depth 200mm
- Gravel – grain size 2 do 8 mm, min. depth 200 mm
- Synthetic surfaces in accordance with tested HIC (EN 1177)

The impact attenuating surfacing shall be installed on the whole of impact area.

A loose-fill safety surface shall be 100mm thicker than min. depth indicated above.

Technical description

- Construction made of steel pipes: $\varnothing 114,3 \times 4 \text{ mm}$, $\varnothing 88,9 \times 3,2 \text{ mm}$ and $\varnothing 30 \times 2 \text{ mm}$,
- The swing mechanism equipped with bearings requires no maintenance,
- The seats made of HDPE board 19mm thick,
- All steel elements are hot-dip galvanized and painted with an acrylic, structured lacquer,
- The set includes foundations made of concrete class C25/30.

Product visualization

