



SHADING STRUCTURE FOR TYTAN GYM EQUIPMENT

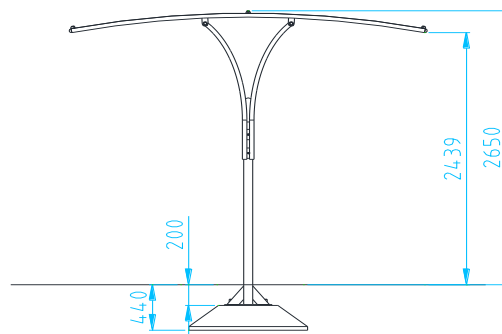
Catalogue number: 26010

It shall apply from: 24-01-2024

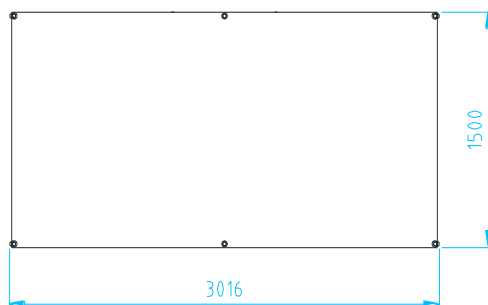
Product Dimensions:
(length x width x height) 3,02 x 1,50 x 2,65 m



Product dimensions



Impact area dimensions



Acceptable shock-absorbing surface:

- No requirements

Technical description

- A solid steel construction made of round $\varnothing 38 \times 2,6\text{mm}$,
- The shading mat restricts sunlight by about 50%
- All steel elements are hot-dip galvanized and painted with an acrylic, structured lacquer
- The device should be mounted to the Pylon of Tytan System series (26000)