

HORIZONTAL LADDER

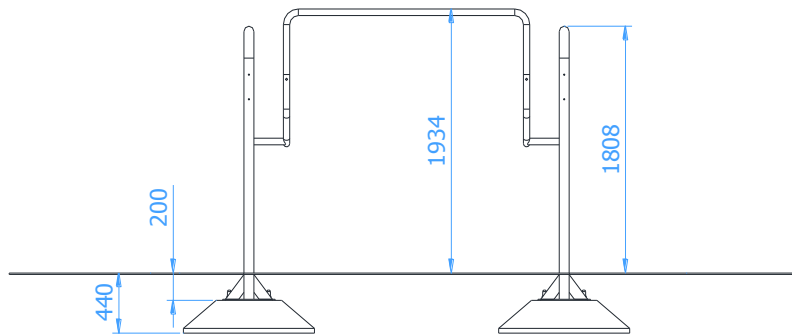
Catalogue number: 26149

It shall apply from 24-01-2024

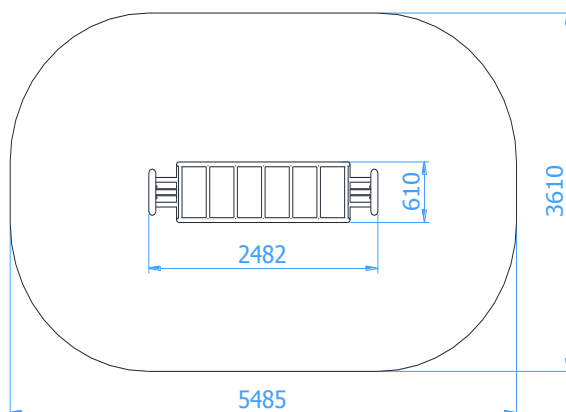
Max. free fall height:	0,94 m
Product dimensions: (length x width x height)	2,49 x 0,61 x 1,94 m
Impact area dimensions: (length x width)	5,49 x 3,61 m
Free zone:	17,8 m ²



Product dimensions



Impact area dimensions



Acceptable shock-absorbing surface

- No requirements

Technical description

- A solid steel construction made of round pipes $\varnothing 48,3 \times 2,9$ mm
- Rungs of ladder made of $\varnothing 38 \times 2,6$ mm pipes
- All steel elements are hot-dip galvanized and painted with an acrylic, structured lacquer
- The device should be mounted to the Pylon of Tytan System series

TECHNICAL DATA SHEET

Working muscles

