

**SYSTEM**  
**TYTAN**

## KNEE RAISEDIP STATION

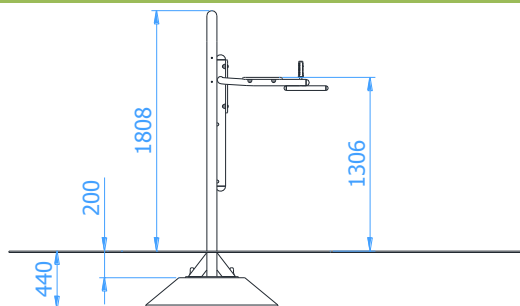
Catalogue number: 26409

It shall apply from: 24-01-2024

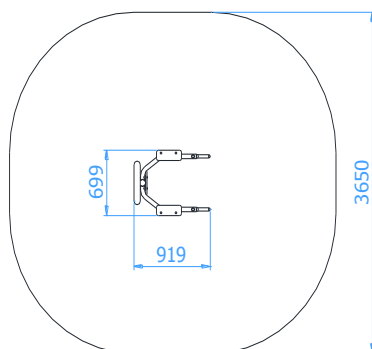
|  |                     |
|--|---------------------|
| <b>Max. free fall height:</b>                          | 0,31 m              |
| <b>Product dimensions</b><br>(length x width x height) | 0,92 x 0,7 x 1,81 m |
| <b>Impact area dimensions:</b><br>(length x width)     | 3,94 x 3,65 m       |
| <b>Free zone:</b>                                      | 12,5 m <sup>2</sup> |



### Product dimensions



### Impact area dimensions



Acceptable shock-absorbing surface:

- No requirements

### Technical description

- A solid steel construction made of round pipes  $\varnothing 76,1 \times 2,9\text{mm}$  and  $\varnothing 48,3 \times 2,9\text{mm}$
- An arm of the device equipped with handles made of  $\varnothing 16$  rod covered by an artificial material
- An extension of the arms made of  $\varnothing 35 \times 2\text{mm}$  pipe - intended for doing vertical push-ups
- Armrests made of durable 15mm HDPE sheet
- All steel elements are hot-dip galvanized and painted with an acrylic, structured lacquer
- The device should be mounted to the Pylon of Tytan System series

# TECHNICAL DATA SHEET

## Working muscles

