

SYSTEM
TYTAN

ELIPTICAL CROSS TRAINER

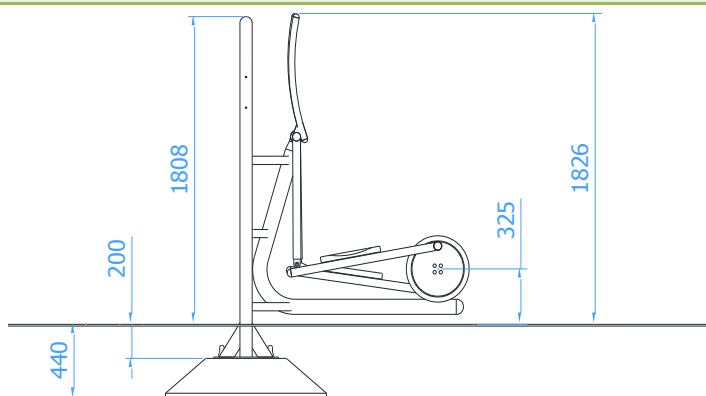
Catalogue number: 26559

It shall apply from: 24-01-2024

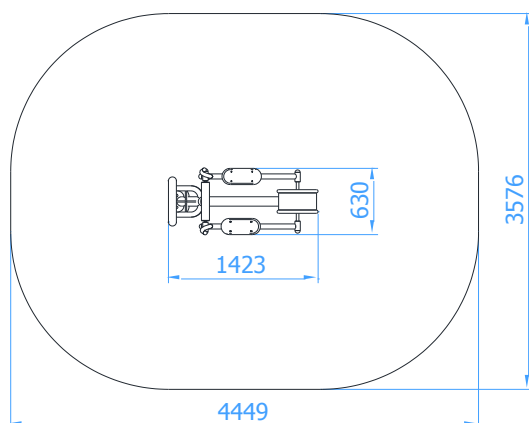
Max. free fall height:	0,44 m
Product dimensions (length x width x height)	1,43 x 0,63 x 1,83 m
Impact area dimensions: (length x width)	4,45 x 3,58 m
Free zone:	13,7 m ²



Product dimensions



Impact area dimensions



Acceptable shock-absorbing surface:

- No requirements

Technical description

- A solid steel construction made of round pipe $\varnothing 88,9 \times 3,2\text{mm}$
- The leg rests made of $\varnothing 48,3 \times 2,9\text{mm}$ pipe with anti-slip footrests made of epoxy resin
- The handles made of $\varnothing 38 \times 2,6\text{mm}$ pipe provides stable support during exercises
- The device mechanism bases on bearings which shall not require a maintenance
- All steel elements are hot-dip galvanized and painted with an acrylic, structured lacquer
- The device should be mounted to the Pylon of Tytan System series

TECHNICAL DATA SHEET

Working muscles

