

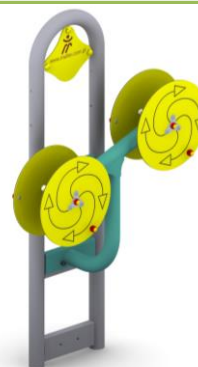


TAI CHI DISCS 4

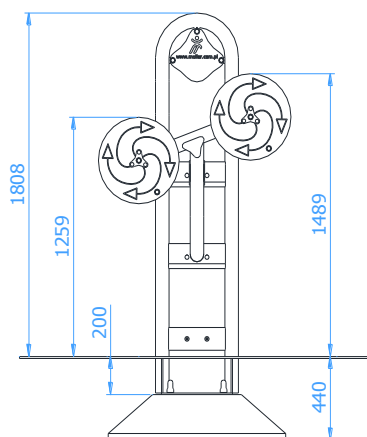
Catalogue number: 26809

It shall apply from: 24-01-2024

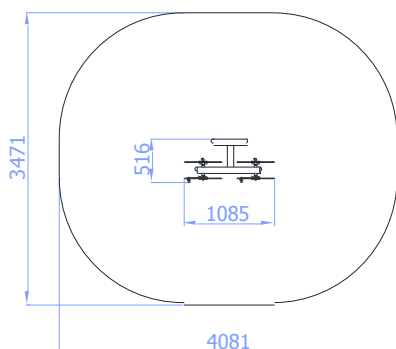
Max. free fall height:	Does not apply
Product dimensions (length x width x height)	0,51 x 1,09 x 1,81 m
Impact area dimensions: (length x width)	4,09 x 3,48 m
Free zone:	12,3 m ²



Product dimensions



Impact area dimensions



Acceptable shock-absorbing surface:

- No requirements

Technical description

- A solid steel construction made of round pipes $\varnothing 76,1 \times 3,2$ mm
- The discs made of 8 mm HPL sheet
- The device mechanism bases on bearings which shall not require a maintenance
- All steel elements are hot-dip galvanized and painted with an acrylic, structured lacquer
- The device should be mounted to the Pylon of Tytan System series

TECHNICAL DATA SHEET

Working muscles

