

Technical Data Sheet



Product name:
Round Concrete Barbecue Grill

Date create:
2015-04-08

Code:
6200

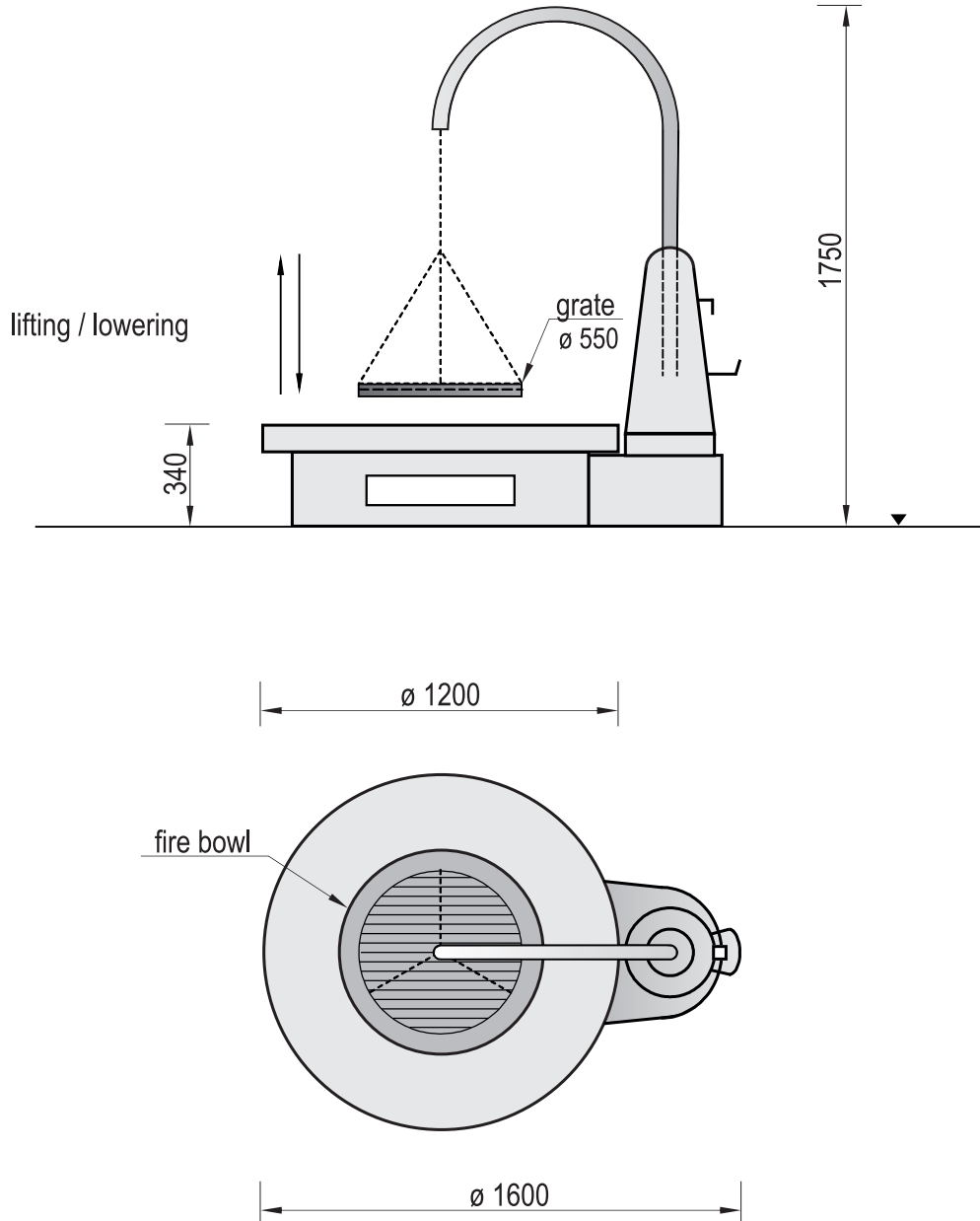
Destination:
Urban Furniture

Scale:
1:25

Construction materials:
Concrete C25/30, steel, stainless steel, plastic

Weight:
710 kilos

Notes:



Technical description:

- Designed specifically for outdoor use
- Construction made of high quality, painted concrete class C25/30
- Concrete fire bowl heat resistant up to 1350C
- Grate made of stainless steel resistant to moisture and high temperatures
- Because of its weight, the grill is stable and it doesn't require additional anchorage in ground
- Easy grate height adjustment
- Top of the grill protected by aluminum edge trims
- Concrete flat around the fire bowl can be used for preparing and eating meals

WARNING ! The equipment shall be used in accordance with its intended purpose