

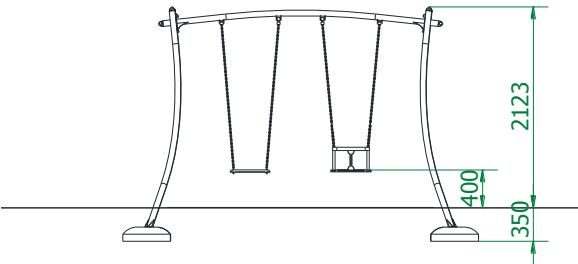
FUTURA DOUBLE SWING SET

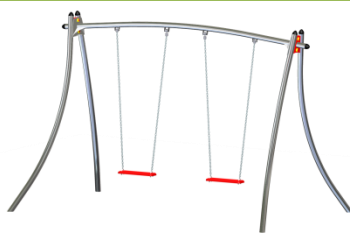
Catalogue numbers::

77103 – version with two Flat Seats

77103-A – version with two Baby Seats

77103-B – version with Flat Seat and Baby Seat

Users' age group:	77103 – 3 - 14 lat	Wymiary urządzenia
	77103-A – do 14 lat	
	77103-B – do 14 lat	
Max. free fall height:	1,20 m	
Product Dimensions: (length x width x height)	2,40 x 3,14 x 2,12 m	
Impact area: (length x width)	7,27(6,27)* x 2,87 m	



77103

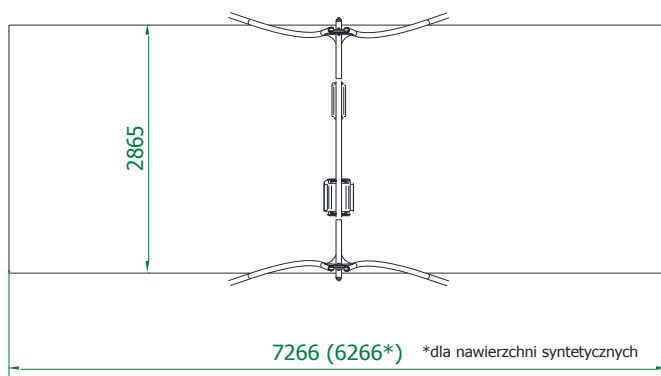


77103-A



77103-B

Impact area dimensions



Permissible impact attenuating surface

- Bark – grain size 20 do 80 mm, min. depth 200 mm
- Woodchip – grain size 5 do 30 mm, min. depth 200mm
- Sand – grain size 0,2 do 2 mm, min. depth 200mm
- Gravel – grain size 2 do 8 mm, min. depth 200mm
- Synthetic surfaces in accordance whit tested HIC (EN 1177)

The impact attenuating surface shall be installed on the whole of impact area.

A loose-fill safety surface shall be 100mm thicker than min. depth indicated above.

An impact area of the swing shall not overlap with the impact area of any other device on the playground

Technical description

- A solid stainless steel construction made of round pipes
- Connectors of the construction are resistant to weather conditions
- Swing chains made of stainless steel
- Seats with aluminum profiles, covered with PU blend
- The set includes foundations made of concrete class C25/30