

## TECHNICAL DATA SHEET

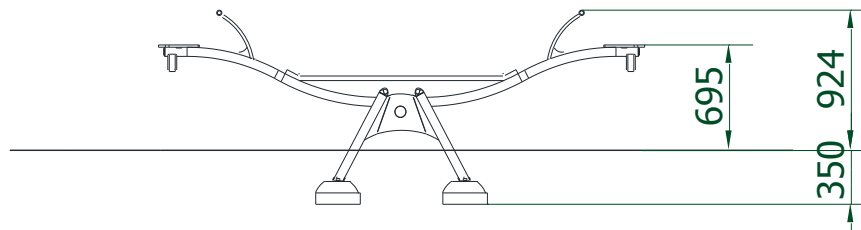
### FUTURA SEESAW

Catalogue number: 77201

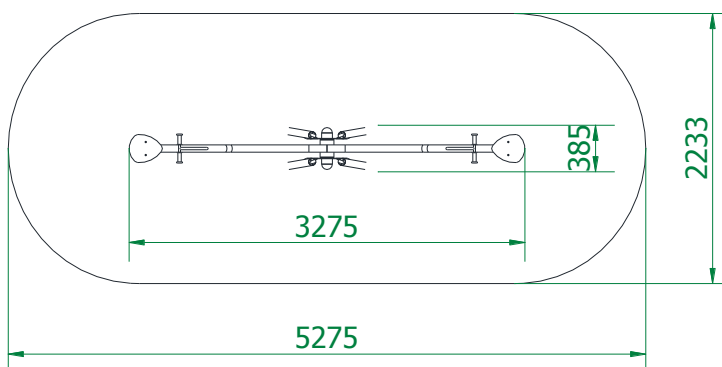
|   |                      |
|---|----------------------|
| <b>Users' age group:</b>                                | 3 - 14 lat           |
| <b>Max. free fall height:</b>                           | 1,12 m               |
| <b>Product Dimensions:</b><br>(length x width x height) | 3,28 x 0,39 x 1,28 m |
| <b>Impact area:</b><br>(length x width)                 | 5,28 x 2,24 m        |



#### Product dimensions



#### Impact area dimensions



#### Permissible impact attenuating surface

- Bark – grain size 20 do 80 mm, min. depth 200 mm
- Woodchip – grain size 5 do 30 mm, min. depth 200mm
- Sand – grain size 0,2 do 2 mm, min. depth 200mm
- Gravel – grain size 2 do 8 mm, min. depth 200mm
- Synthetic surfaces in accordance whit tested HIC (EN 1177)

*The impact attenuating surface shall be installed on the whole of impact area.  
A loose-fill safety surface shall be 100mm thicker than min. depth indicated above.*

#### Technical description

- A solid stainless steel construction made of round pipes
- Connectors of the construction are resistant to weather conditions
- The seat made of HDPE sheet
- Sliding components provide a smooth operation of the device
- The set includes foundations made of concrete class C25/30