

TECHNICAL DATA SHEET

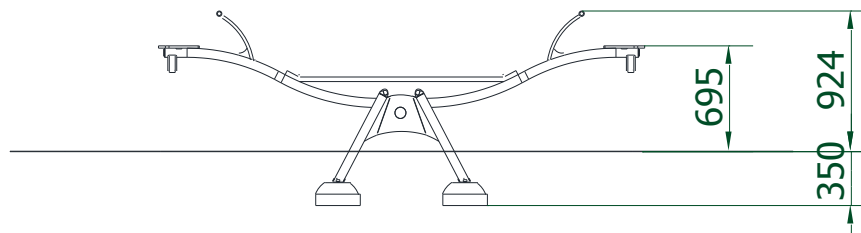
FUTURA SEESAW

Catalogue number: 77201

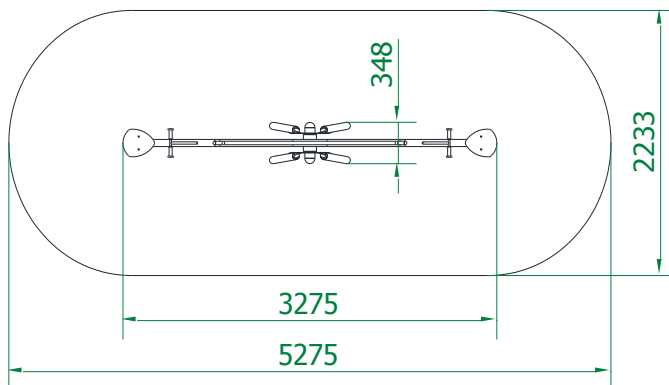
Users' age group:	3 - 14 lat
Max. free fall height:	1,12 m
Product Dimensions: (length x width x height)	3,28 x 0,35 x 1,28 m
Impact area: (length x width)	5,28 x 2,24 m



Product dimensions



Impact area dimensions



Permissible impact attenuating surface

- Bark – grain size 20 do 80 mm, min. depth 200 mm
- Woodchip – grain size 5 do 30 mm, min. depth 200mm
- Sand – grain size 0,2 do 2 mm, min. depth 200mm
- Gravel – grain size 2 do 8 mm, min. depth 200mm
- Synthetic surfaces in accordance whit tested HIC (EN 1177)

*The impact attenuating surface shall be installed on the whole of impact area.
A loose-fill safety surface shall be 100mm thicker than min. depth indicated above.*

Technical description

- A solid stainless steel construction made of round pipes
- Connectors of the construction are resistant to weather conditions
- The seat made of HDPE sheet
- Sliding components provide a smooth operation of the device
- The set includes foundations made of concrete class C25/30