

## STREET WORKOUT SET NO. 6

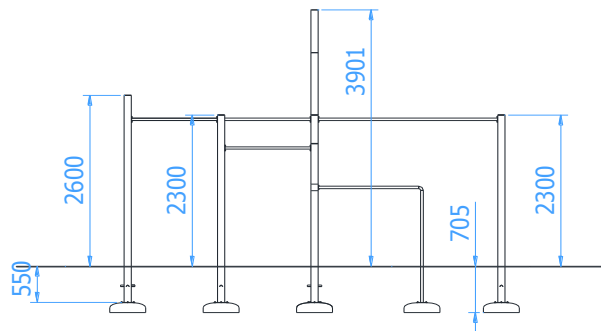
Catalogue number: 88006

It shall apply from: 22-01-2024

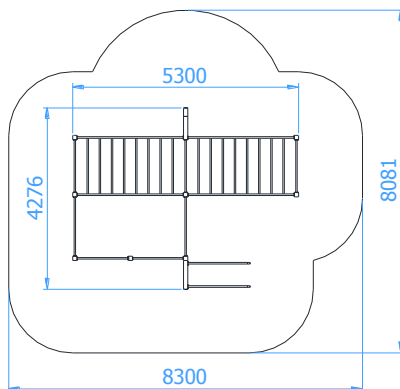
<b>Max. free fall height:</b>	2,80 m
<b>Product Dimensions:</b> (length x width x height)	5,30 x 4,28 x 3,90 m
<b>Impact area:</b> (length x width)	8,30 x 8,09 m
<b>Free zone:</b>	54,7 m <sup>2</sup>



### Product dimensions



### Impact area dimensions



### Permissible impact attenuating surface

- Bark – grain size 20 do 80mm, min. depth 200
- Woodchip – grain size 5 do 30 mm, min. depth 200mm
- Sand – grain size 0,2 do 2 mm, min. depth 200mm
- Gravel – grain size 2 do 8 mm, min. depth 200 mm
- Synthetic surfaces in accordance whit tested HIC (EN 1177)

*The impact attenuating surfacing shall be installed on the whole of impact area.*

*A loose-fill safety surface shall be 100mm thicker than min. depth indicated above.*

### Technical description

- All posts made of closed profiles 100x100x3mm
- Bars and ladder made of Ø33,7x4mm pipes
- Exercise pole made of Ø48,3x2,9mm pipe
- Parallel bars made of Ø38x4mm bars
- Horizontal ladders made of pipes: Ø38x4mm and Ø33,7x4mm,
- All steel elements are hot-dip galvanized and painted with an acrylic, structured lacquer
- The set includes foundations made of concrete class C25/30
- All posts shall be set in concrete class C16/20

## TECHNICAL DATA SHEET

### Components of the Set

- Pull-up bar – 4pcs.
- Parallel bars – 1set
- Ladder – 1pc.
- Horizontal ladder – 2pcs.
- Exercise pole – 1pc.

### Product visualization

