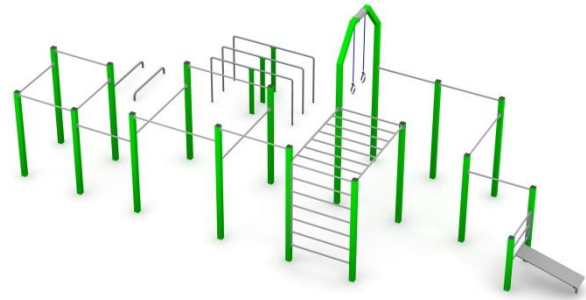


STREET WORKOUT 16

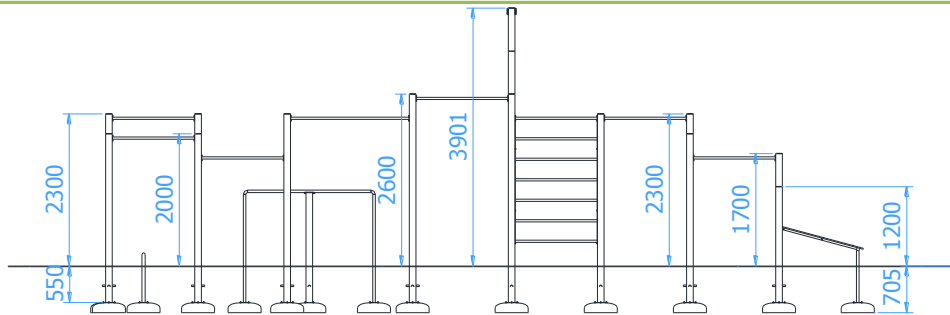
Catalogue number: 88016

It shall apply from: 22-01-2024

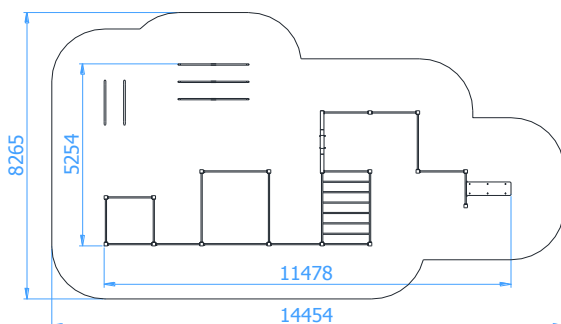
Max. free fall height:	1,60 m
Product Dimensions: (length x width x height)	11,48 x 5,26 x 3,91 m
Impact area: (length x width)	14,46 x 8,27 m
Free zone:	96,5 m ²



Product dimensions



Impact area dimensions



Permissible impact attenuating surface

- Bark – grain size 20 do 80mm, min. depth 200
- Woodchip – grain size 5 do 30 mm, min. depth 200mm
- Sand – grain size 0,2 do 2 mm, min. depth 200mm
- Gravel – grain size 2 do 8 mm, min. depth 200 mm
- Synthetic surfaces in accordance whit tested HIC (EN 1177)

The impact attenuating surfacing shall be installed on the whole of impact area.

A loose-fill safety surface shall be 100mm thicker than min. depth indicated above.

Technical description

- All posts made of closed profiles 100x100x3mm
- Bars and ladder made of $\varnothing 33,7 \times 4$ mm pipes
- Gymnastic rings made of stainless steel pipe $\varnothing 30 \times 2$ mm and armed rope $\varnothing 16$ mm
- Horizontal ladder made of pipes: $\varnothing 33,7 \times 4$ mm and $\varnothing 38 \times 4$ mm
- Exercise bench made of profiles: 40x40x3mm, 30x18x2mm with 15mm HDPE seat
- Parallel bars made of $\varnothing 38 \times 4$ mm pipe
- All steel elements are hot-dip galvanized and painted with an acrylic, structured lacquer
- The set includes foundations made of concrete class C25/30
- All posts shall be set in concrete class C16/20

TECHNICAL DATA SHEET

Components of the Set

- Gymnastic rings – 1pc.
- Horizontal ladder – 1pc.
- Ladder - 1pc.
- Push-up bars – 1set
- Triple parallel bars – 1set
- Exercise bench with small ladder – 1pc.
- Pull-up bar – 14pcs.

Product visualization

