



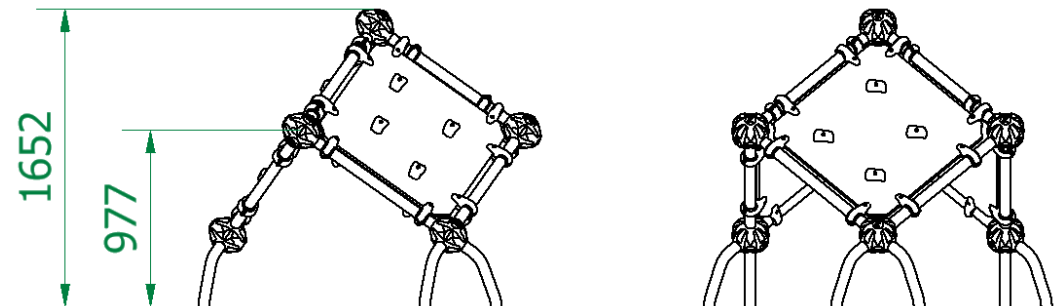
## BOX S3 CLIMBING CUBE

Catalogue number: 89204

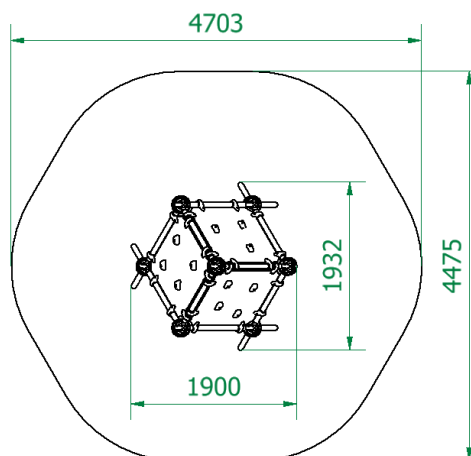
<b>Users' age group:</b>	6+
<b>Max. free fall height:</b>	1,65 m
<b>Product dimensions:</b> (length x width x height)	1,90 x 1,93 x 1,65 m
<b>Impact area dimensions:</b> (length x width)	4,70 x 4,48 m
<b>Free zone:</b>	16,6 m <sup>2</sup>



### Product dimensions



### Impact area dimensions



### Permissible impact attenuating surface

- Bark – grain size 20 do 80 mm, min. depth 200 mm + 100mm (for displacement)
- Woodchip – grain size 5 do 30 mm, min. depth 200mm + 100mm (for displacement)
- Sand – grain size 0,2 do 2 mm, min. depth 200mm + 100mm (for displacement)
- Gravel – grain size 2 do 8 mm, min. depth 200 mm + 100mm (for displacement)
- Synthetic surfaces in accordance whit tested HIC (EN 1177)

*The impact attenuating surfacing shall be installed over the entire impact area.*

### Technical description

- Construction made of stainless steel and plastic connectors.
- HPL construction components
- The set includes foundations made of concrete class C25/30