

Technical Data Sheet



Product name:
Ramp 700

Construction materials:
Concrete od class C 35/45, hot dip galvanized steel

Date create:
2022-02-16

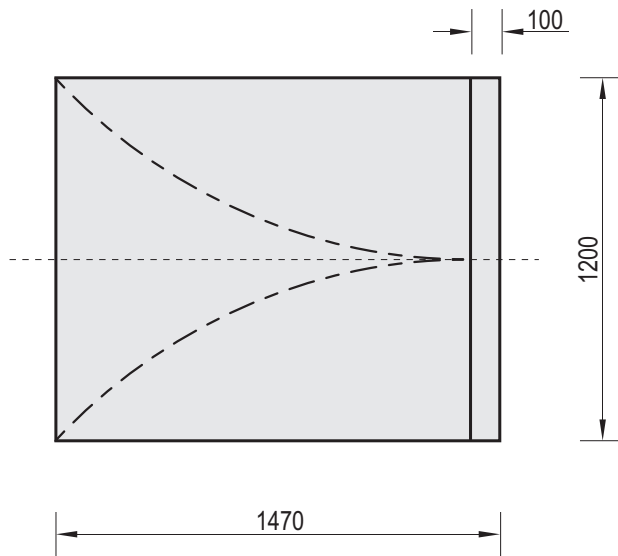
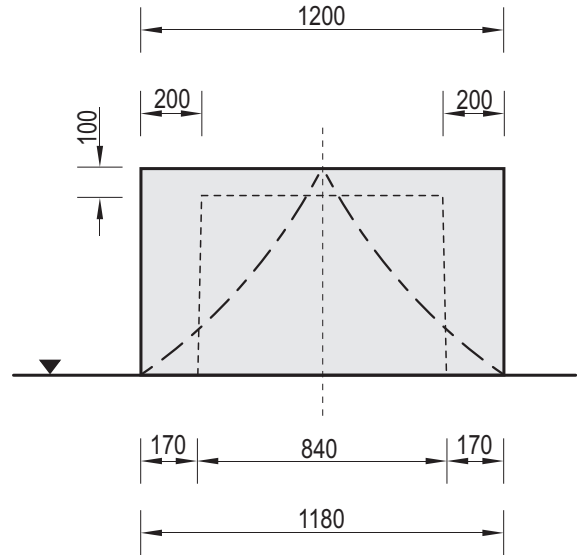
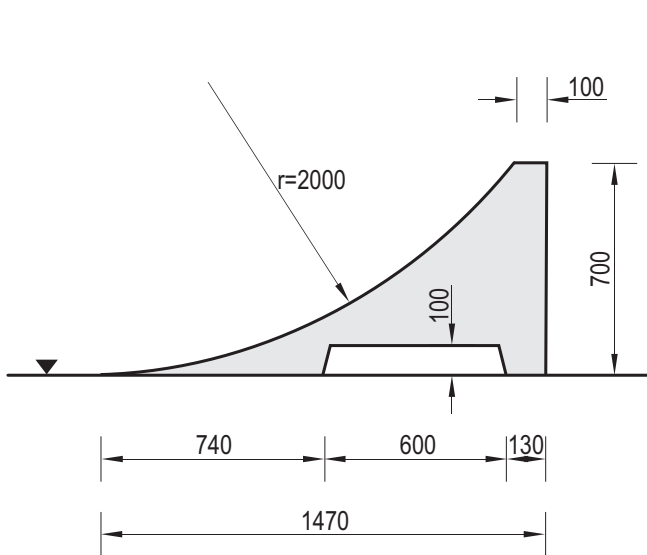
Weight:
530

Code:
111270

Notes:

Destination:
Skate Park

Scale:
1:25



Technical description:

- Construction made of concrete class C 35/45 and hot dip galvanized steel
- The Ramp is available in four versions: 700mm h (111270), 980mm h (111298), 1250mm h (111212) oraz 1500mm h (111215)
- All steel elements are protected against corrosion
- Concrete elements are protected against water conditions effect by impregnation and painted with acrylic paint PILBET

WARNING ! Children are allowed to use the item only under supervision of adults.