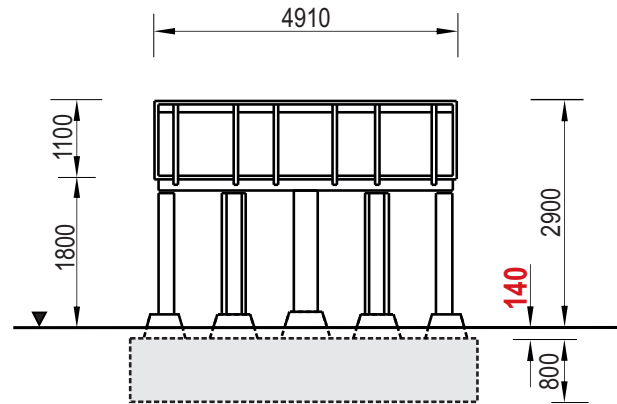
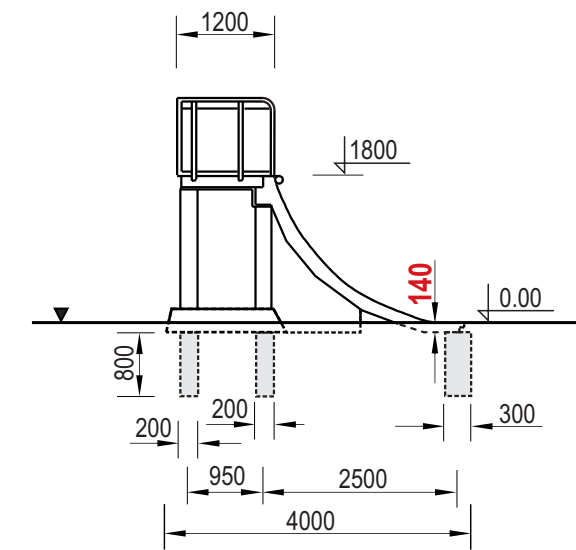


# Technical Data Sheet

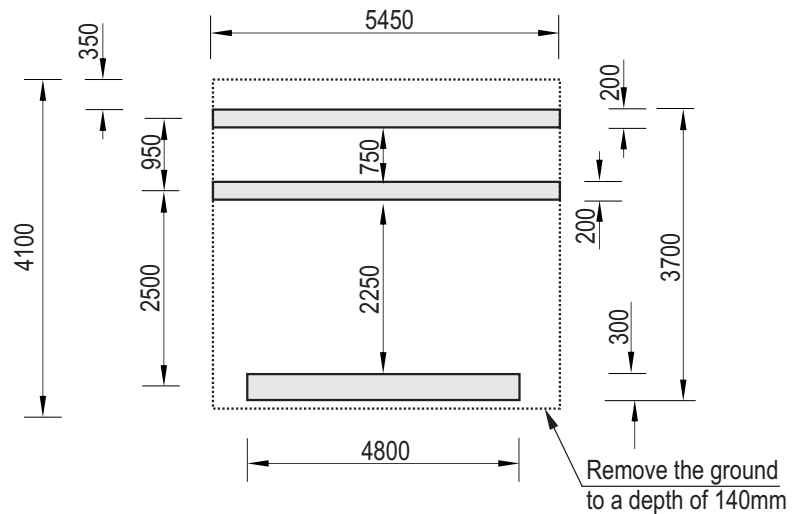
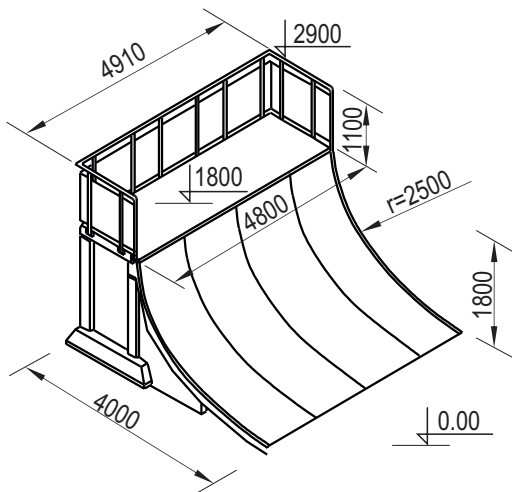


Product name: <b>Quarter Pipe Ramp - width 480 cm</b>	Date create: <b>2018-02-01</b>	Code: <b>141848</b>	Destination: <b>Skate Park</b>	Scale: <b>1:25</b>
Construction materials: <b>Concrete of class C 35/45, hot dip galvanized steel</b>	Weight: <b>11960</b>	Notes:		

The device intended for the installation on a skate park surface, foundations required.



## Foundation setup



## Technical description:

- Construction made of concrete of class C35/45, steel pipes and steel sheet,
- Upper barrier made of pipe  $\varnothing 48,3 \times 2,9$  mm and steel sheet 3 mm,
- Side rails made of pipes  $\varnothing 35 \times 2$  mm,
- All steel elements protected against corrosion (hot dip galvanized),
- The equipment is certified according to PN-EN 14974+A1/2010 Norm

**WARNING ! The equipment shall be used in accordance with its intended purpose**