

## Technical Data Sheet



Product name:  
**Skatepark Box - h 125 cm**

Date create:  
**2021-10-05**

Code:  
**160012**

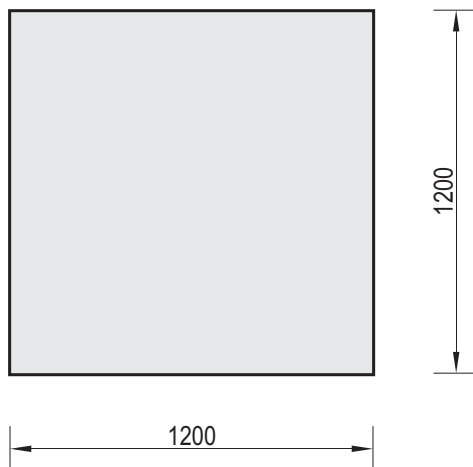
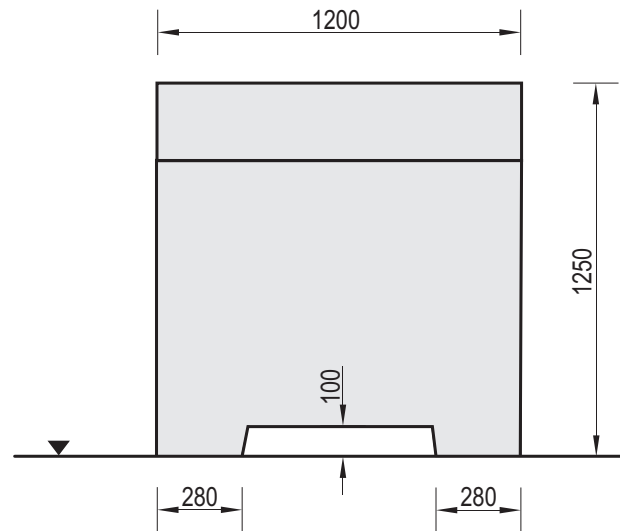
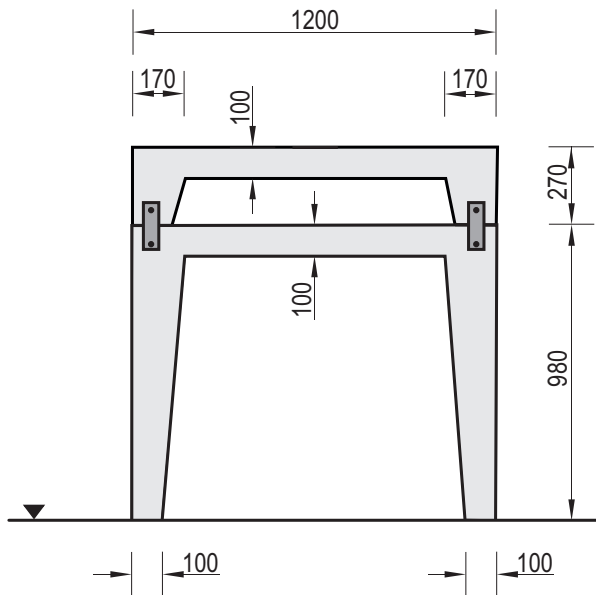
Destination:  
**Skate Park**

Scale:  
**1:25**

Construction materials:  
**Concrete of class C 35/45, hot dip galvanized steel**

Weight:  
**1495 kilos**

Notes:



### Technical description:

- Construction made of steel case filled with concrete class C 35/45 and steel pipes
- All steel elements are hot dip galvanized
- The Box is available in 4 variants: 700mm (160070), 980mm (160098), 1250mm (160012) and 1500mm (160015)
- The Box is not a standalone element, it is a part of bigger skate park sets.
- Concrete elements are protected against water conditions effect by impregnation and painted with acrylic paint PILBET

**WARNING ! Children are allowed to use the item only under supervision of adults.**