

Technical Data Sheet



Product name:
Skatepark Box - h 35 cm

Date create:
2022-12-07

Code:
160035

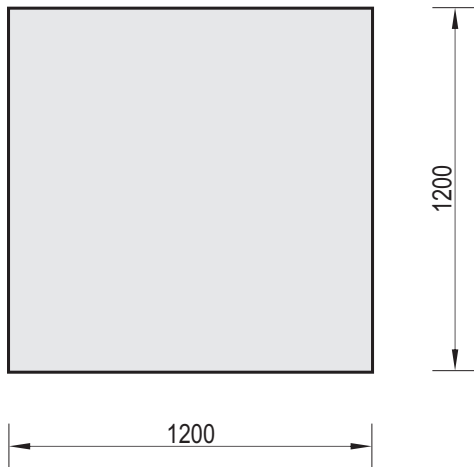
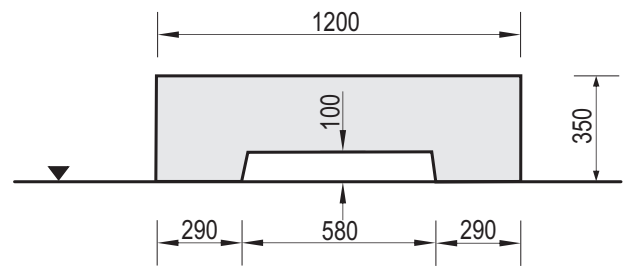
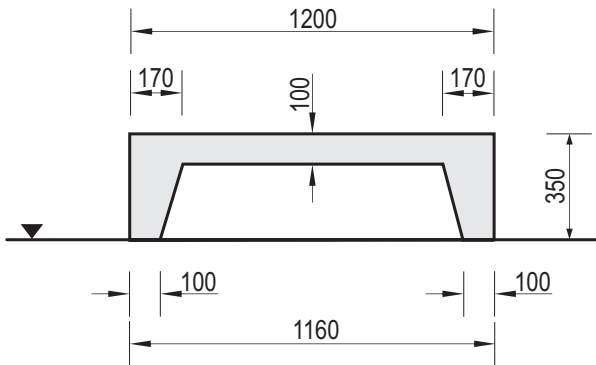
Destination:
Skate Park

Scale:
1:25

Construction materials:
Concrete of class C 35/45, hot dip galvanized steel

Weight:
800 kilos

Notes:



Technical description:

- Construction made of steel case filled with concrete class C 35/45 and steel pipes
- All steel elements are hot dip galvanized
- The Box is also available in 4 other variants: 700mm (160070), 980mm (160098), 1250mm (160012) and 1500mm (160015)
- The Box is not a standalone element, it is a part of bigger skate park sets.
- Concrete elements are protected against water conditions effect by impregnation and painted with acrylic paint PILBET

WARNING ! Children are allowed to use the item only under supervision of adults.