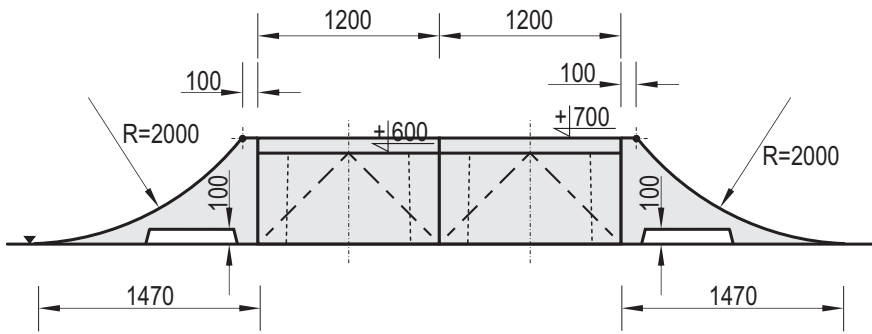


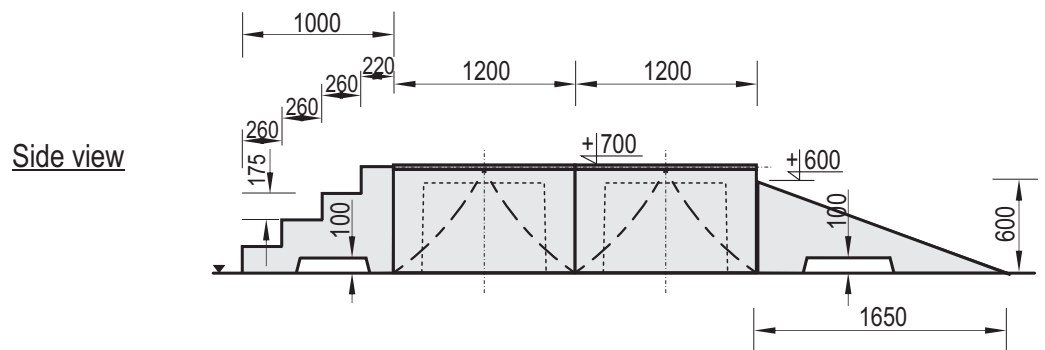
# Technical Data Sheet



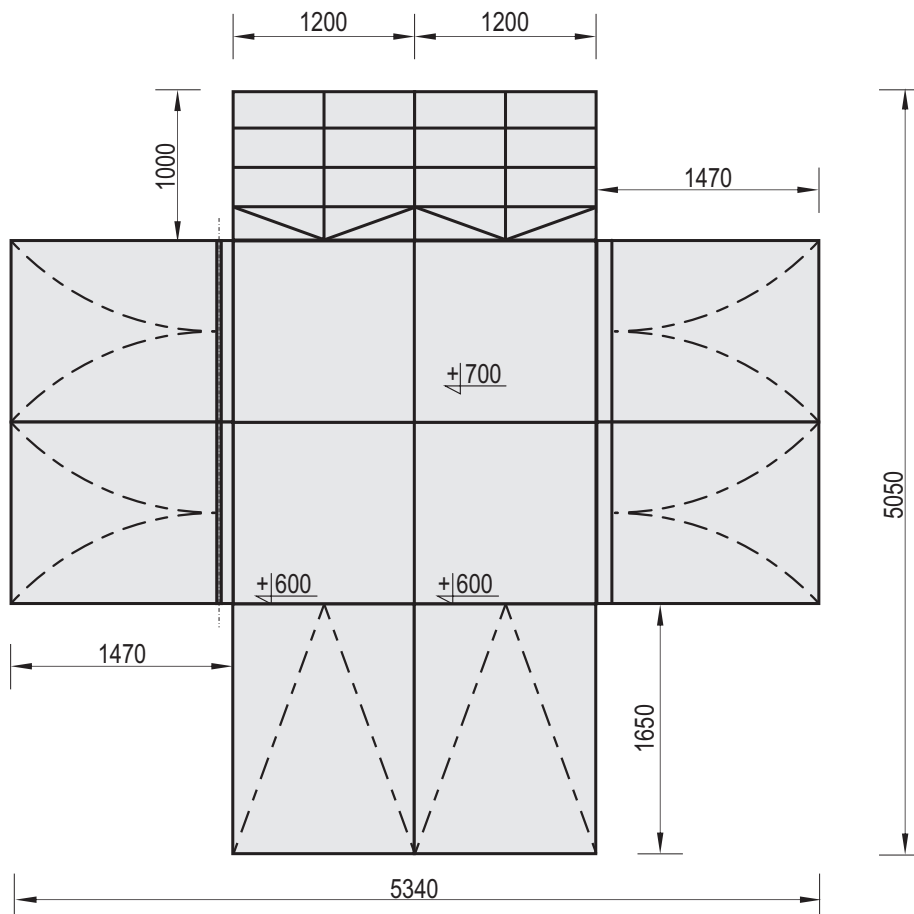
Product name: <b>Fun-Box 51_700</b>	Date create: <b>2010-09-05</b>	Code: <b>105170</b>	Destination: <b>Sport</b>	Scale: <b>1:50</b>
Materials: <b>Concrete of class C 35/45, hot dip galvanized steel</b>	Weight: <b>8060</b>	Notes: <b>4x Box 700 + 2x Coping Ramp 700 + 2x Ramp 700 + 2x Bank 600 + 2x Stairs 700</b>		



Front view



Side view



Top view

## Technical description:

- Construction made of concrete class C 35/45 and hot dip galvanized steel
- Concrete elements are protected by impregnation and painted with acrylic paint PILBET

**WARNING ! Children are allowed to use the item only under supervision of adults.**