



It shall apply from: **08-06-2018 r.**

**THE ASSEMBLY INSTRUCTION OF:  
Fun-box 7  
PRODUCT CODE: 107770**



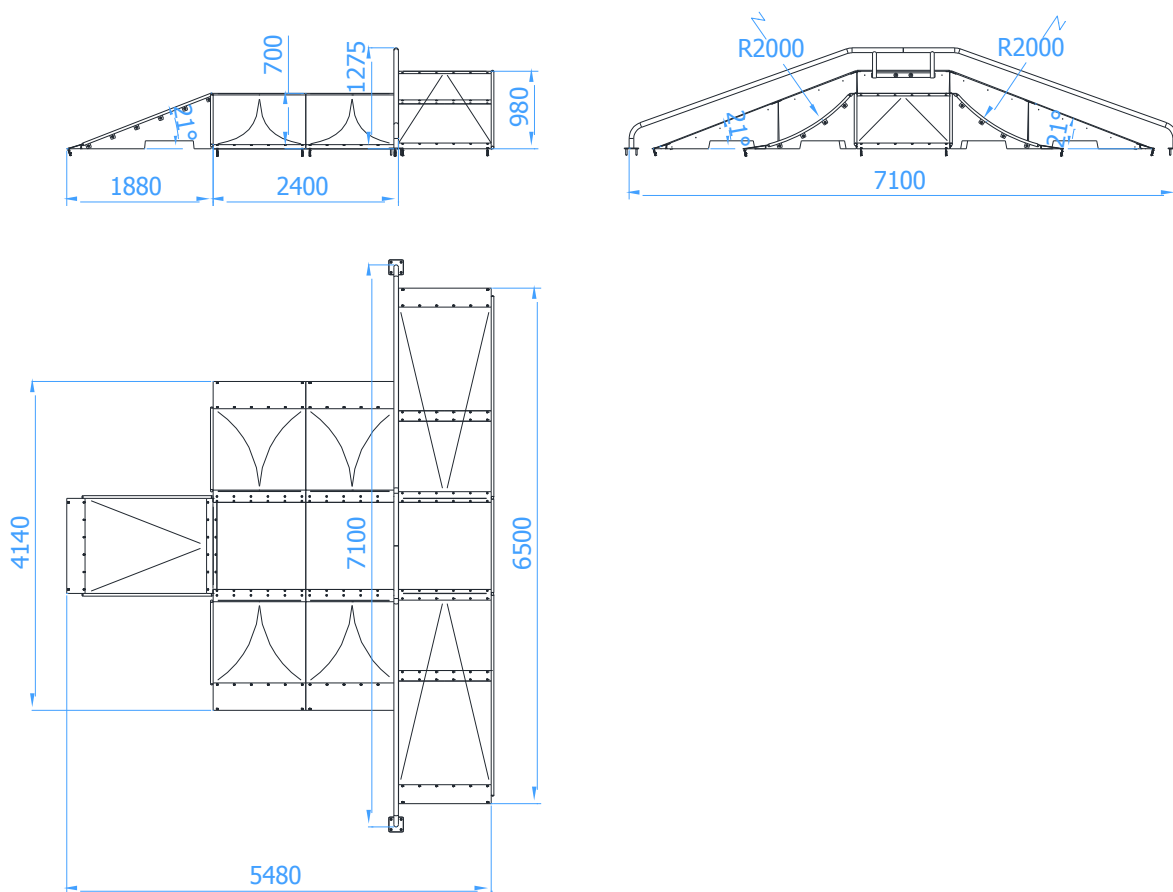


## TABLE OF CONTENTS

INTRODUCTION .....	2
STAGE 1 – Preparatory work, safety zone .....	2
STAGE 2 – Assembly of the construction .....	4
1. List of components .....	4
2. Assembly scheme .....	5

## INTRODUCTION

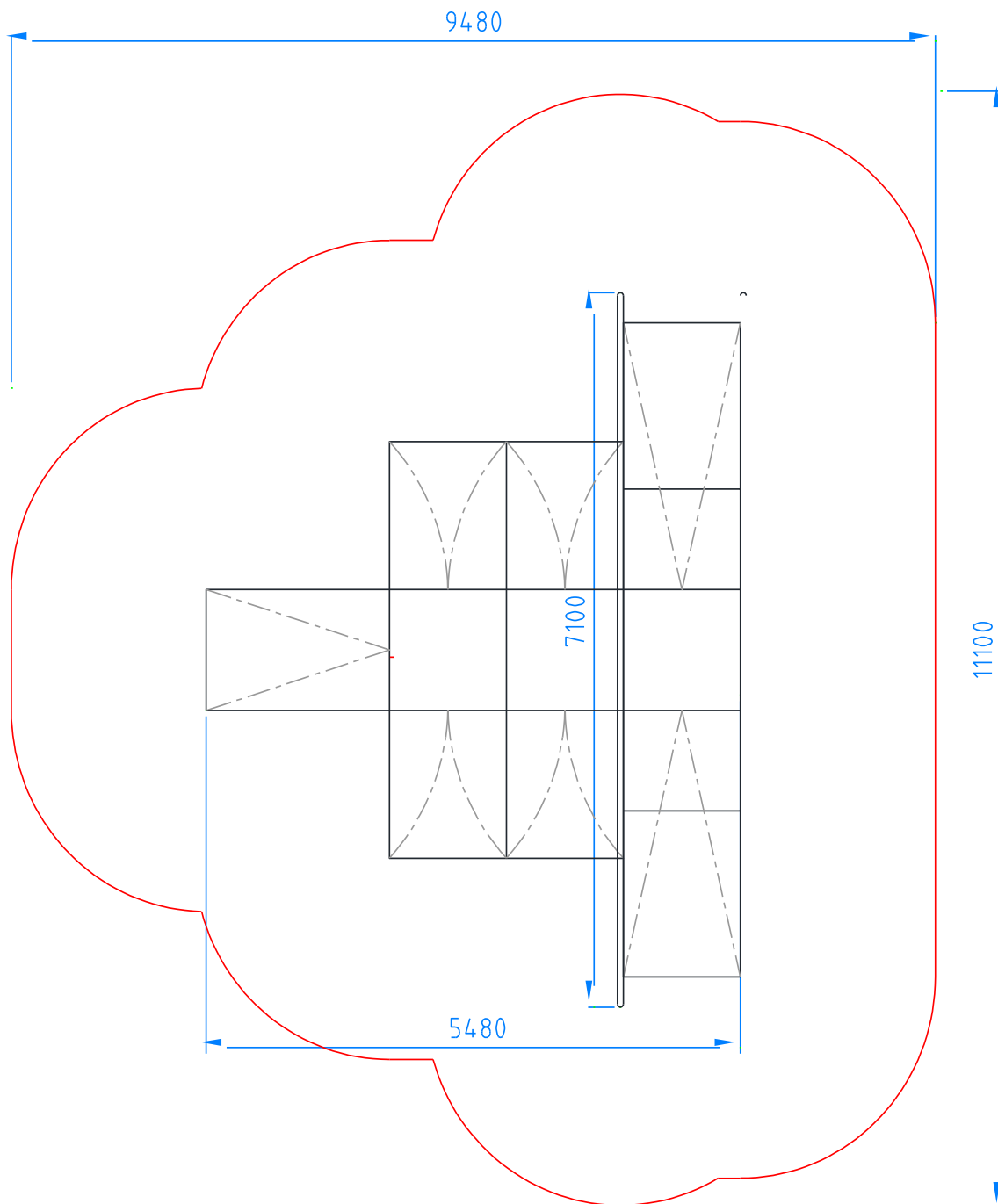
- Overall dimensions: 5,48 x 7,1 x 1,28 m





## STEP 1 - Preparatory work, safety zone

- Secure the assembly site to keep others at a distance
- Set the construction in a designated place having regard to required impact area.



**WARNING!**  
Installation shall be performed in accordance with safety & health standards



## STEP 2 – Assembly of the construction

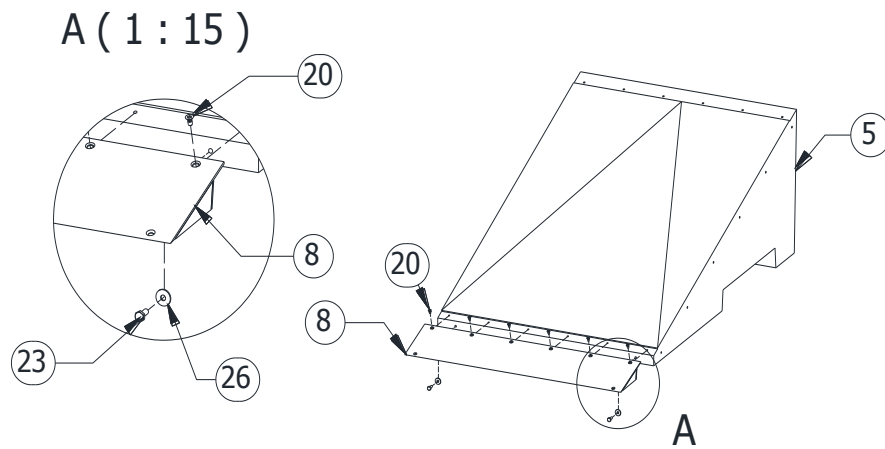
### 1. List of components

NR	NAZWA CZĘŚCI	WYMIAR	SZT.	NORMA
1	Box 700 2S	1200x1200x700	1	Concrete
2	Box 700 3S	1200x1200x700	1	Concrete
3	Box 980 2S	1200x1200x980	1	Concrete
4	Bank 600		2	Concrete
5	Bank 700		1	Concrete
6	Additional component for Bank 980		2	Concrete
7	Coping 700		4	Concrete
8	Steel toe plate for Bank	250x1200	3	chrome
9	Steel toe plate for Ramp	350x1200	4	chrome
10	Connector for Bank 980	142x1200x5	2	s235
11	Sheet metal for Bank-Box	139x1200x5	1	s235
12	Sheet metal for Bank-Box	139x1200x5	2	s235
13	Connector for Ramp-Box 700	1 200x164x5	4	s235
14	Side rail for Bank 700		2	s235
15	Side rail for Bank 980		1	s235
16	Side rail for Bank 980		1	s235
17	Side rail for Box		1	s235
18	Side rail for Ramp 700		2	s235
19	Single side rail 980 floor-mount		1	s235
20	Countersunk screw - torx	TX45 - M8x16	42	chrome
21	Countersunk screw	M12 x 30	8	
22	Hexagon head screw	M16 x 30	2	
23	Hexagon head screw	M10 x 25	54	
24	Countersunk screw	M10 x 20	106	
25	Washer	Ø50x Ø17x3 (M16)	2	
26	Washer	Ø30x Ø10,5x2,5 (M10)	54	
27	Expansion bolt	Ø10x80	14	
28	Threaded anchor	Ø18x80 - M12	8	s235

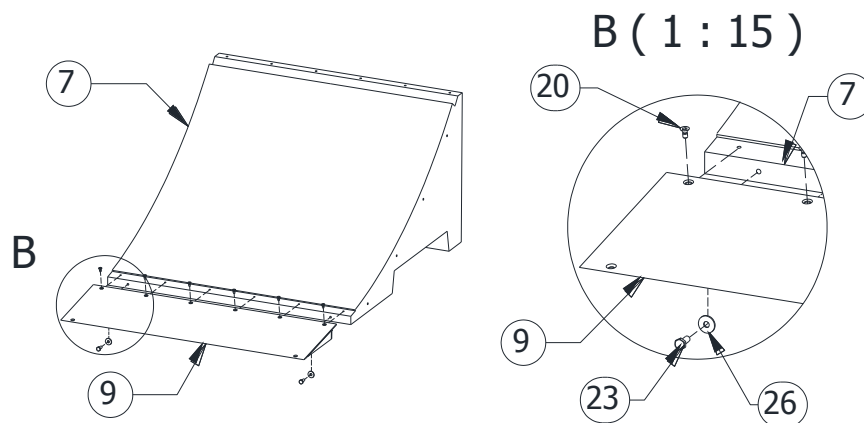


## 2. Assembly scheme

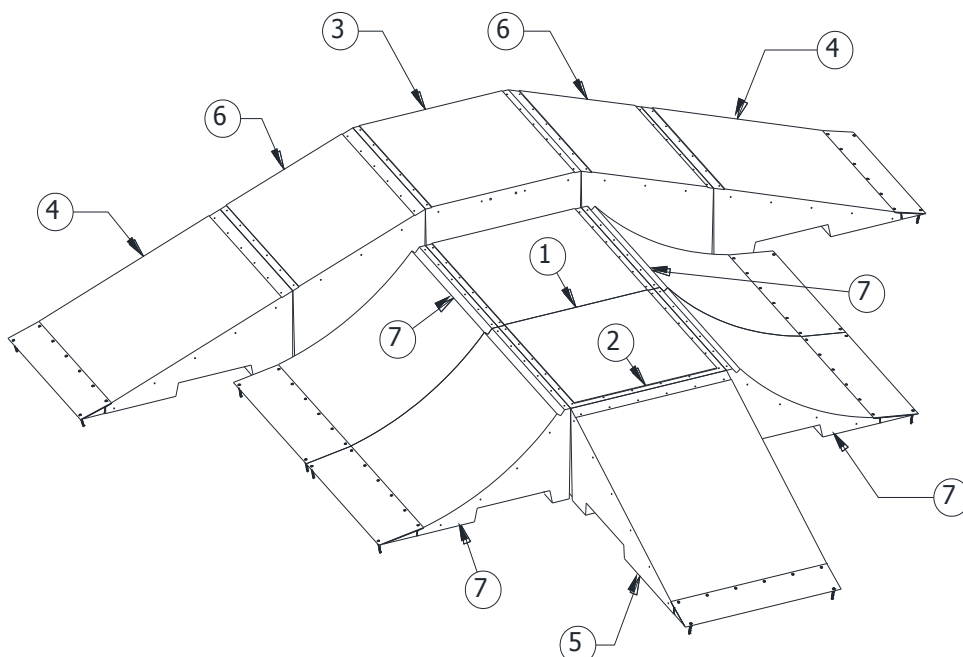
- Screw the toe plates (point 8) to the Banks (point 4,5) by using screws and washers (item 20, 23 and 26).



- Screw the toe plates (point 8) to the Banks (point 4,5) by using screws and washers of points: 20, 23 and 26.

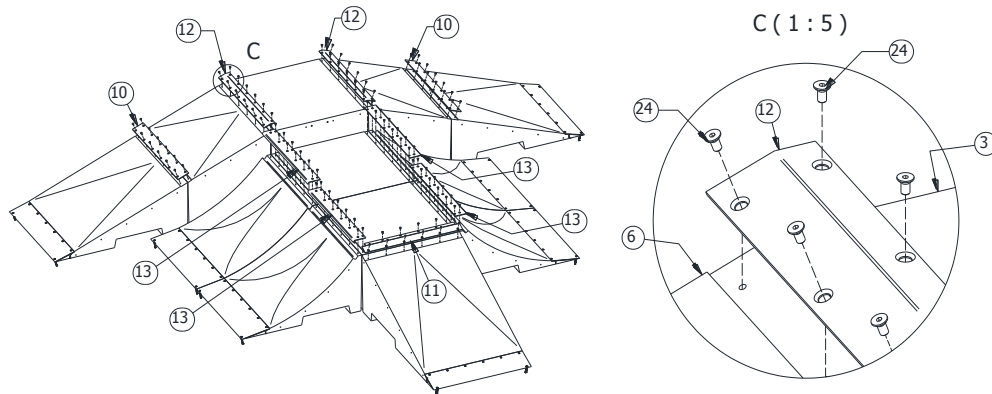


- Place the concrete elements according to the illustration below:

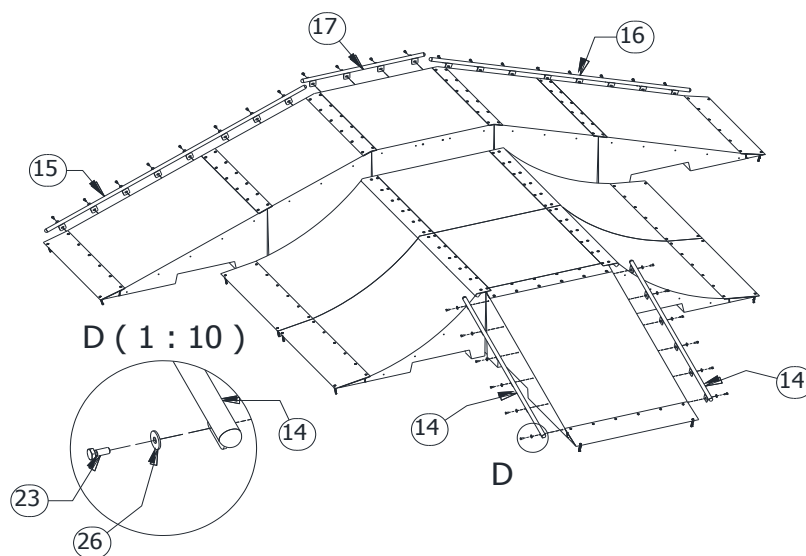




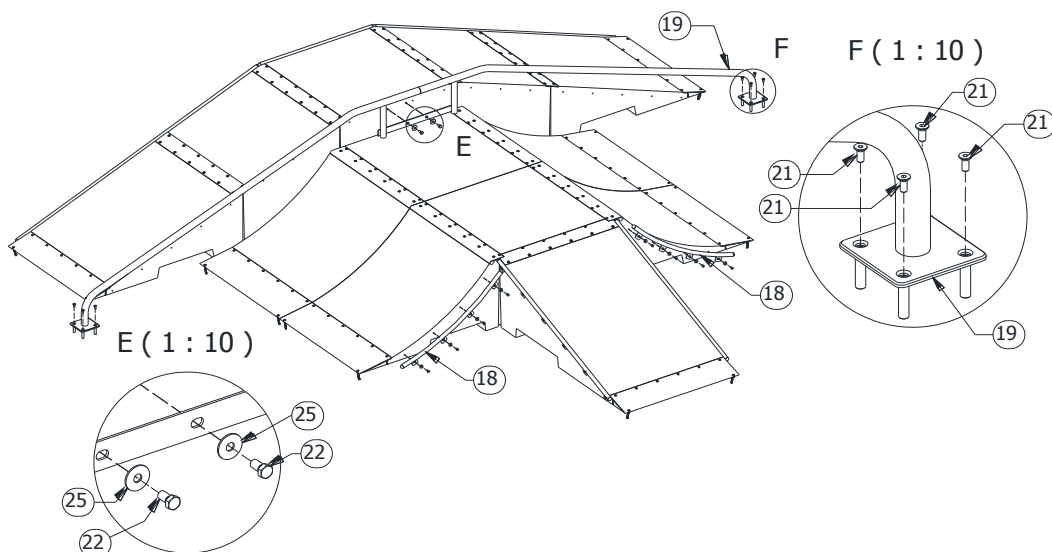
- Connect the upper surfaces of the concrete elements with metal sheets (item 10, 11, 12, 13) by using item 24.



- Install the side rails (item 14, 15, 16, 17) by using item 23 and 26.



- Install the Rail (item 19) to the Box (item 3) by using item 22 and 25. Fix the free endings of the Rail (item 19) to the surface by using chemical anchors and item 21, 28.



- All the corners of the steel toe plates shall be mounted to the ground with the bolts (item 27)
- Remove the slacks in joints
- Put the statutory plate.