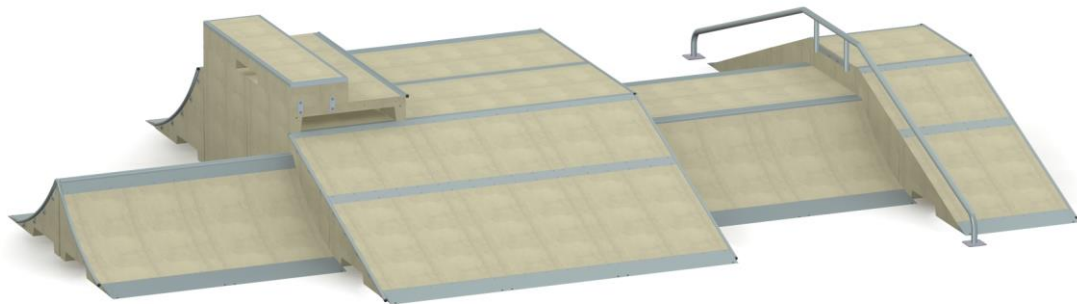


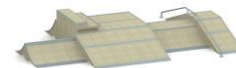


It shall apply from: 27-05-2024 r.

THE ASSEMBLY INSTRUCTION OF:

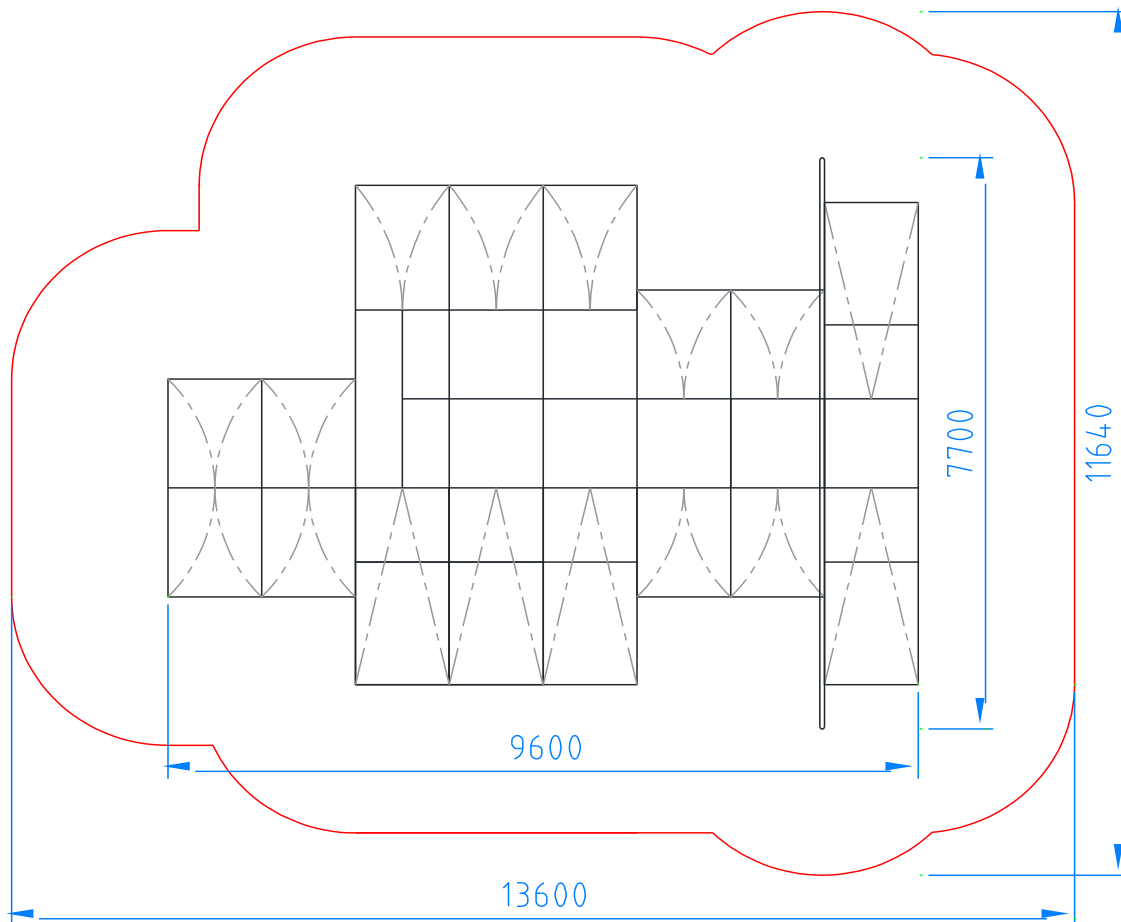
108498 Fun-box 14





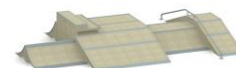
STEP 1 - Preparatory work, safety zone

- Secure the assembly site to keep others at a distance
- Set the construction in a designated place having regard to required impact area.



WARNING!

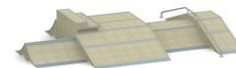
Installation shall be performed in accordance with safety & health standards.



STEP 2 - Assembly of the construction

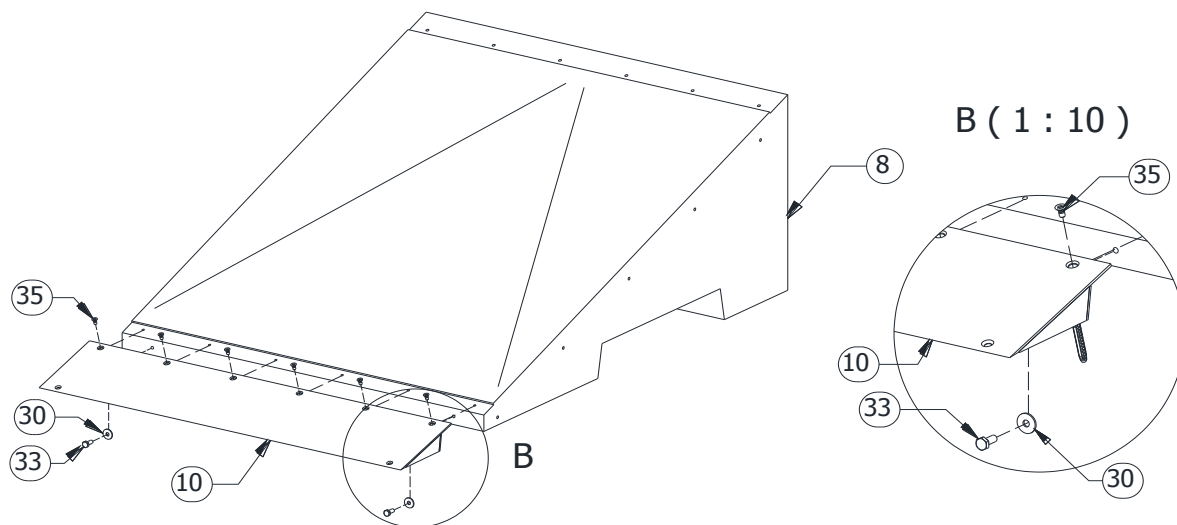
1. List of components

NO	NAME	DIMENSIONS	QTY	NORM
1	Box 250 1S	120x120x250	2	160025.01S
2	Box 700 2S	1200x1200x700	2	160070.02S
3	Box 980 2S	1200x1200x980	7	160098.02S
4	Ollie Box Top	600x250x2 400	1	181245.100
5	Coping 700		4	111270.00C
6	Coping 980		3	111298.00C
7	Spine-Ramp		4	121280.100
8	Bank 600		5	151260.00Z
9	Additional component for Bank 980		5	151298.0DB
10	Steel toe plate for Bank	250x1200	5	SN.250.000
11	Steel toe plate for Ramp	350x1200	11	SN.350.000
12	Side rail for Bank 980		2	SP.BK.003L
13	Side rail for Bank 980		2	SP.BK.003R
14	Side rail for Box		1	SP.BX.004 L
15	Side rail for Box		1	SP.BX.004 LR
16	Side rail for Box-Ramp		1	SP.BX.005 A
17	Top rail for Box - double		1	SP.BX.007
18	Single side rail 980, floor-mount		1	SP.R98.B1.002
19	Side rail for Spine - left		1	SP.RP.005 L
20	Side rail for Spine - right		1	SP.RP.005 R
21	Side rail for Ramp 980		2	SP.RP.006
22	Top rail for Spine		1	SP.SR.000 LR
23	Top rail for Spine		1	SP.SR.000 R
24	Sheet metal connector for Box-Box	100x1200x5	3	SP.Ł.100
25	Sheet metal connector for Bank-Box	139x1200x5	5	SP.Ł.101
26	Connector for Bank 980	142x1200x5	5	SP.Ł.102
27	Connector for Ollie Box	153x50x5	4	SP.Ł.104
28	Connector for Ramp-Box 700	1 200x164x5	4	SP.Ł.112
29	Connector for Ramp-Box 980	1 200x174x5	3	SP.Ł.113
30	Washer	Ø30xØ10,5x2,5 (M10)	102	DIN 9021
31	Washer	Ø50xØ17x3 (M16)	2	DIN 9021
32	Countersunk screw	M10 x 20	276	DIN 7991
33	Hexagon head screw	M10 x 25	102	DIN 933
34	Hexagon head screw	M16 x 30	2	DIN 933
35	Countersunk screw - torx	TX45 - M8x16	96	ISO 14581
36	Expansion bolt	Ø10x80	32	

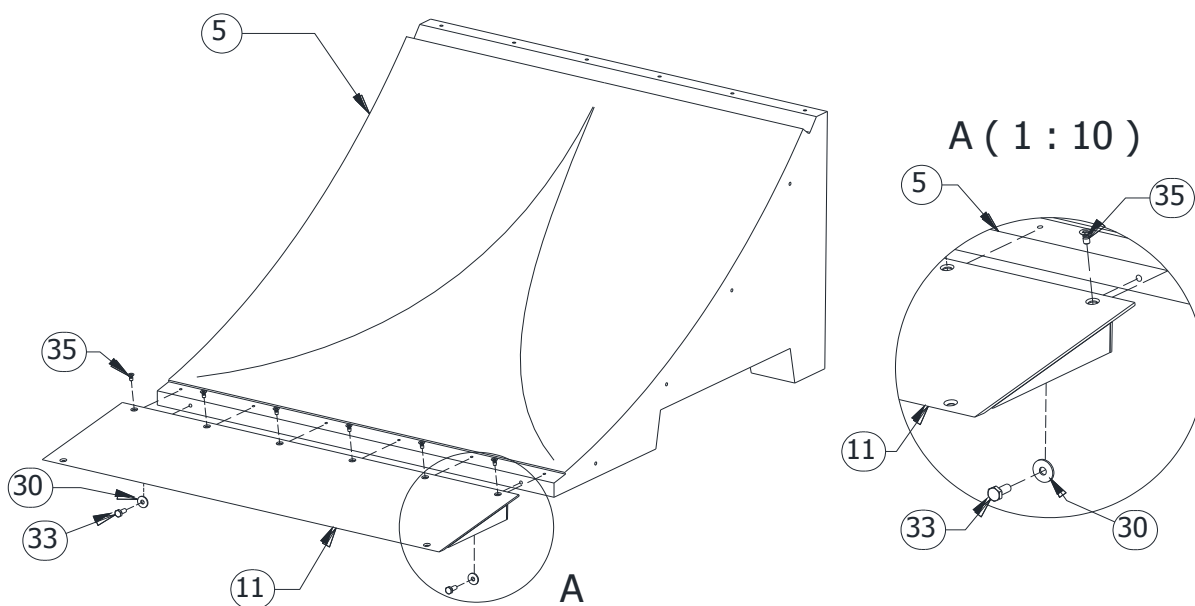


2. Assembly scheme

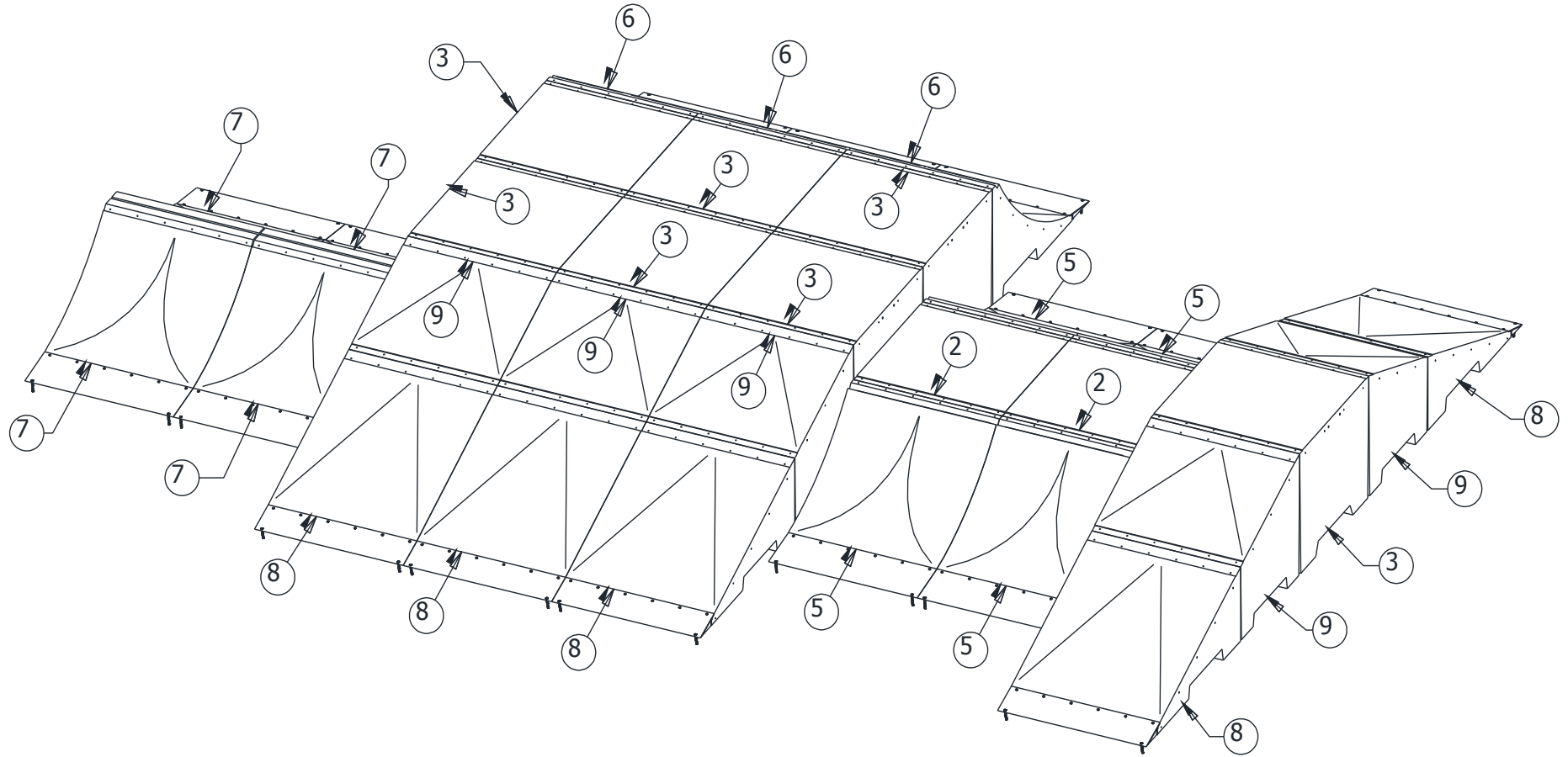
- Screw the steel toe plates (item 10) to the Banks (item 8) by using item 30, 33 and 35.



- Screw the steel toe plates (item 11) to the Ramps (item 5, 7) by using item 30, 33 and 35.

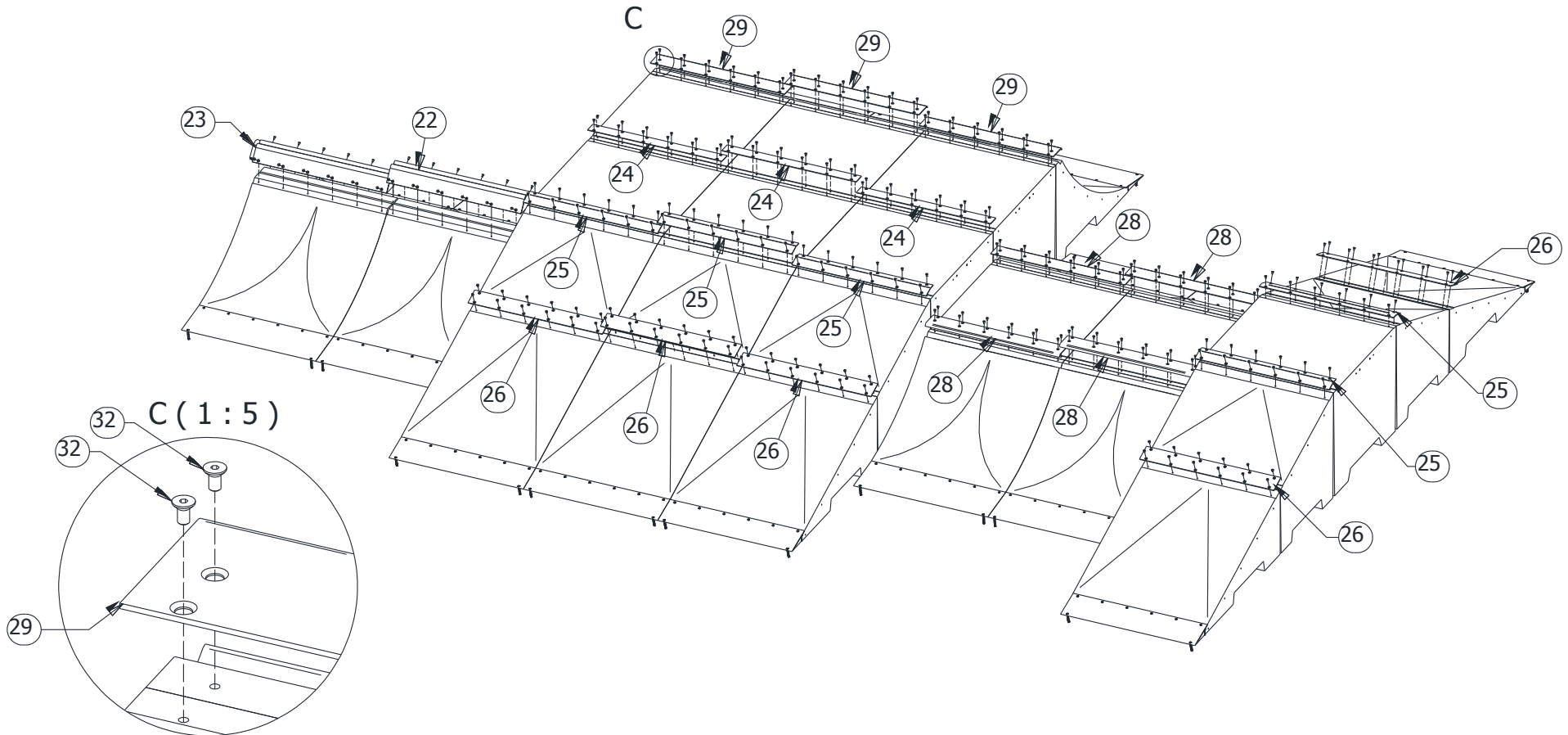


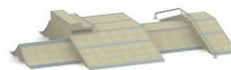
- Place the concrete elements according to the illustration below:



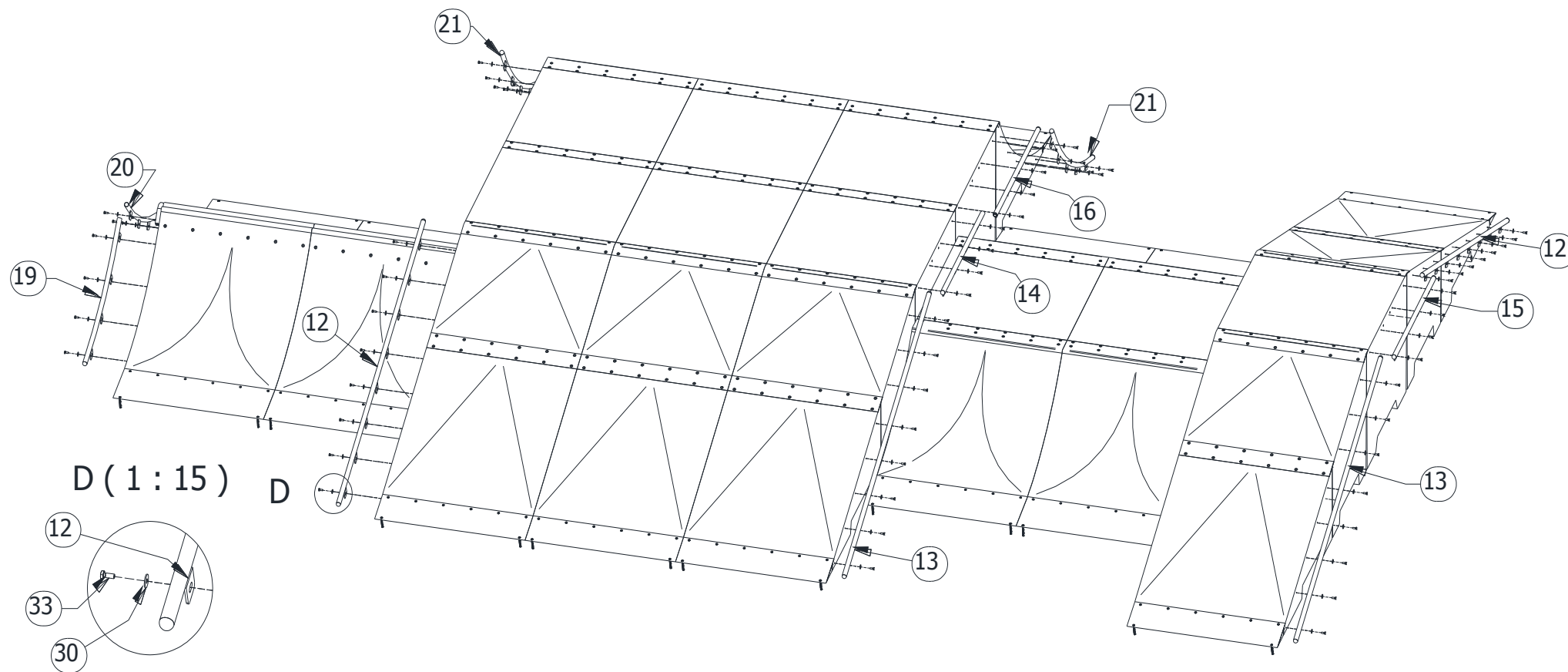


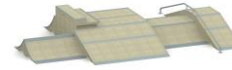
- Connect the upper surfaces of the concrete elements with sheet metal connectors (item 24, 25, 26, 28, 29) by using item 32.
- Screw the top rail for Spine (item 22, 23) by using item 32.



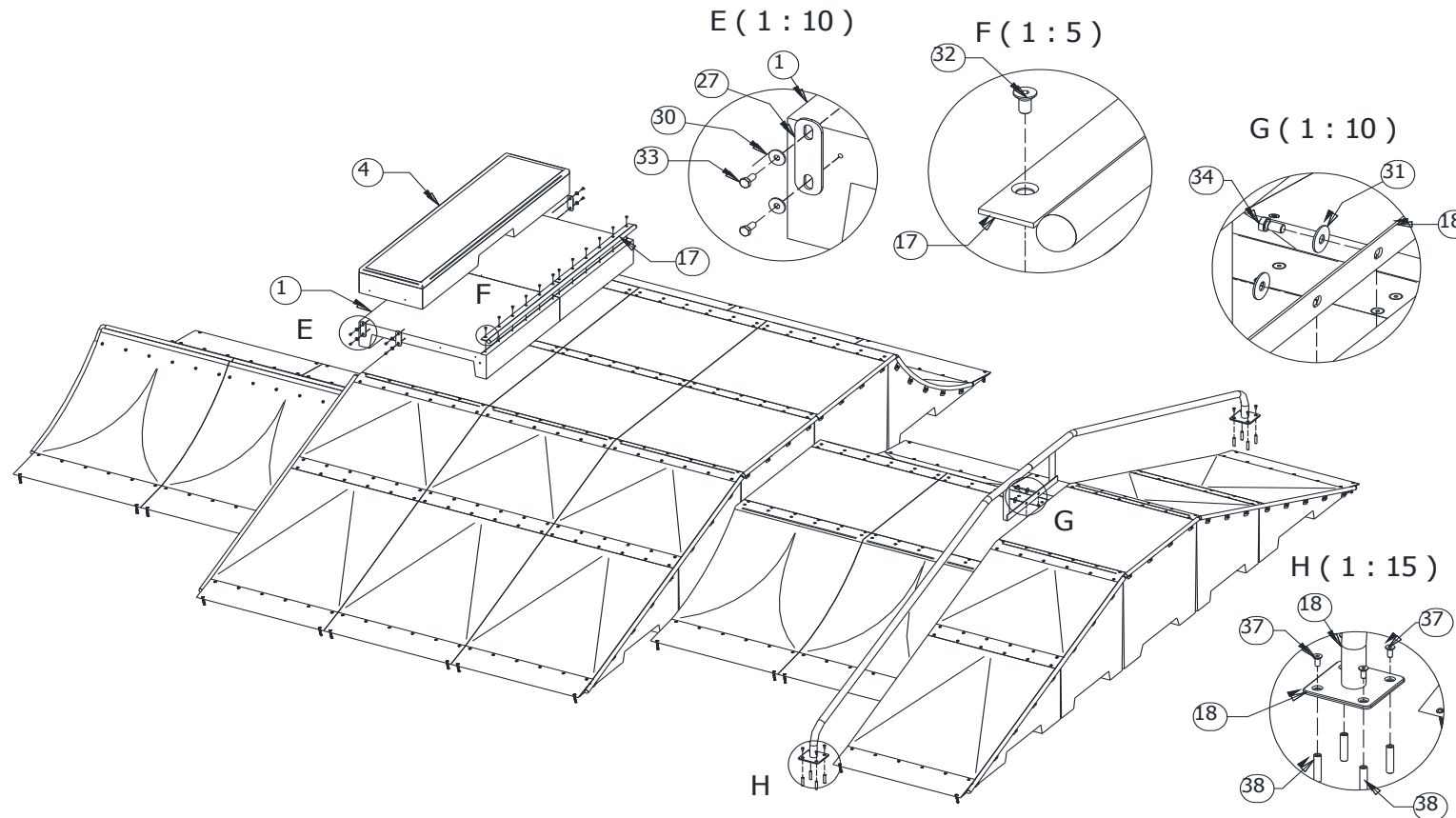


- Install the side rails (item 12, 13, 14, 16, 19, 20, 21) by using 30, 33.





- Screw the single Rail (item 18) to the side surface of concrete elements by using item 31, 34. Fix the free endings of the Rail to the ground by using chemical anchors and items 37, 38.
- Set the concrete elements Box 250 (item 1) and Ollie Box top (item 4). Screw the upper rail (item 17) by using item 32. Screw the Box 250 (item 1) to the Ollie Box top (item 4) from the side by using item 27, 30, 33.



- All the corners of the steel toe plates shall be mounted to the ground with the bolts (item 36)
- Remove the slacks in joints
- Put the statutory plate.