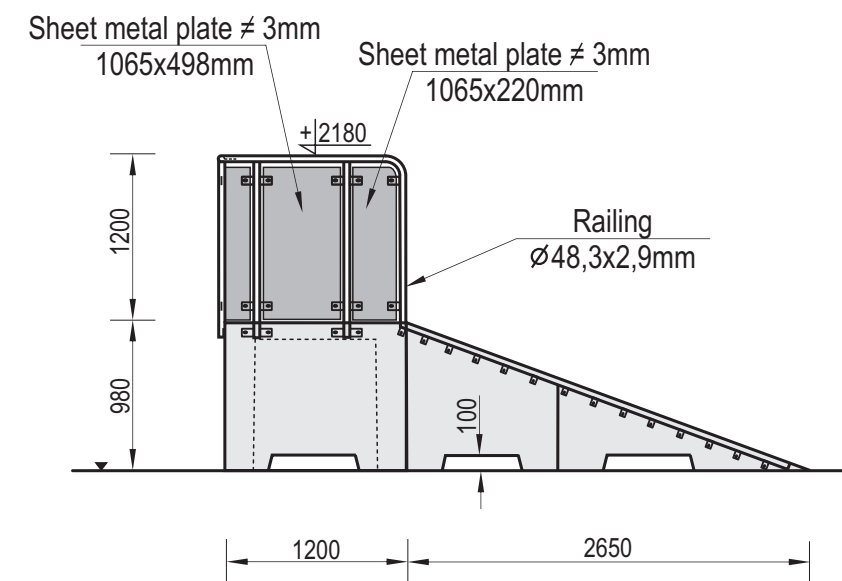
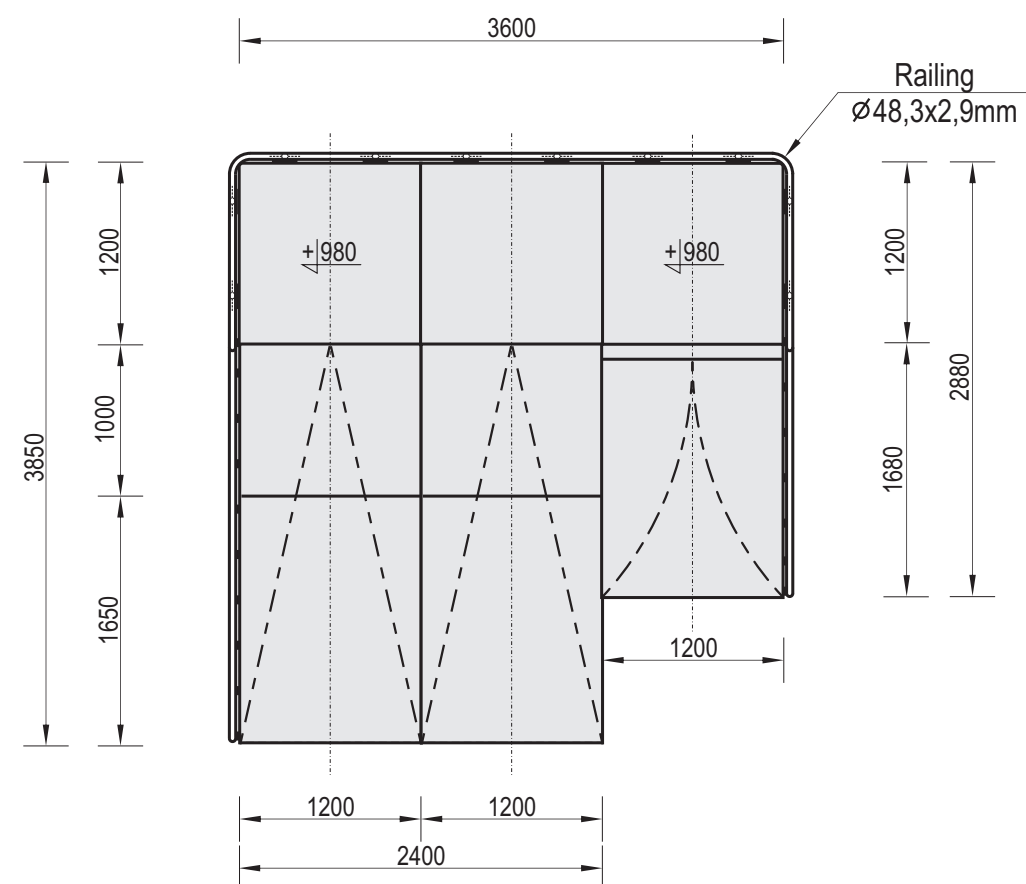


Side view



Top view



Technical description

- The set includes: 3x Box 980 + 2x Bank 980 + Ramp 980 + Bariierka
- Construction made of concrete of class C35/45 and hot dip galvanized steel elements

WARNING ! Children are allowed to use the item only under supervision of adults.



Product name: Quarter 2	Date create: 2020-10-20	Code: 109298	Destinasion: Sport	Scale: 1:50
Material: Concrete of class C35/45. Hot deep galvanized steel	Weight:[kg] 7260	Notes:		