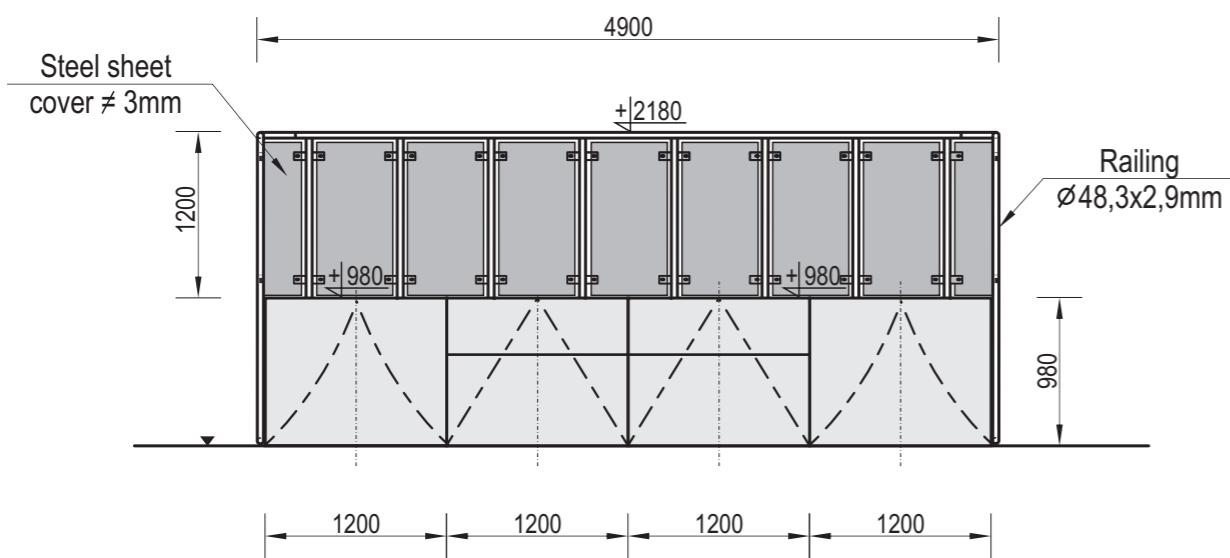
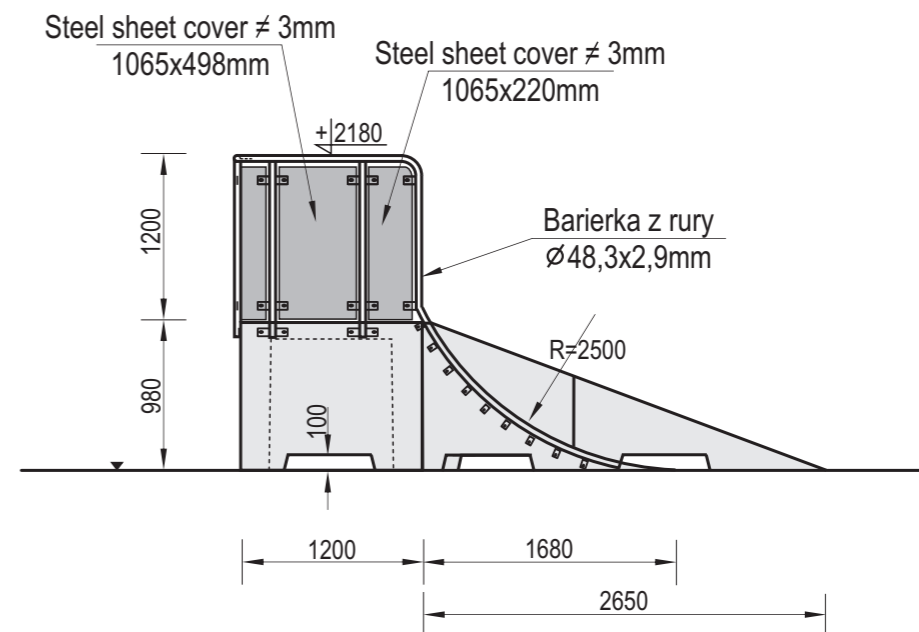


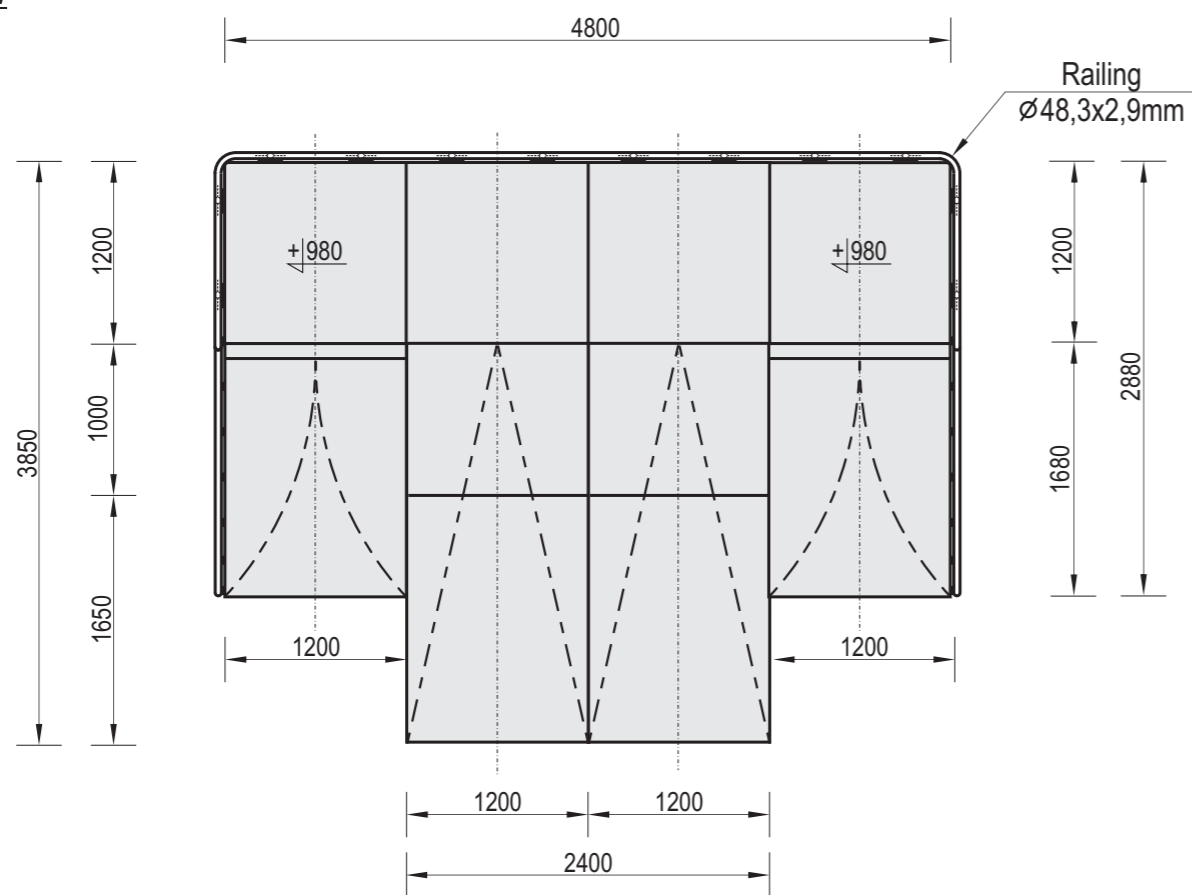
Front view



Side view



Top view



Technical description

- The set includes: 4x Box 980 + 2x Bank 980 + 2x Ramp 980 + Railing
- Construction made of concrete class C35/45 and hot dip galvanized steel elements

WARNING! Children are allowed to use the item only under supervision of adults.



Product name: Quarter 3	Date create: 2020-10-20	Code: 109398	Destination: Sport	Scale: 1:50
Material: Concrete of class C35/45, hot dip galvanized steel	Weight:[kg] 8750	Notes:		