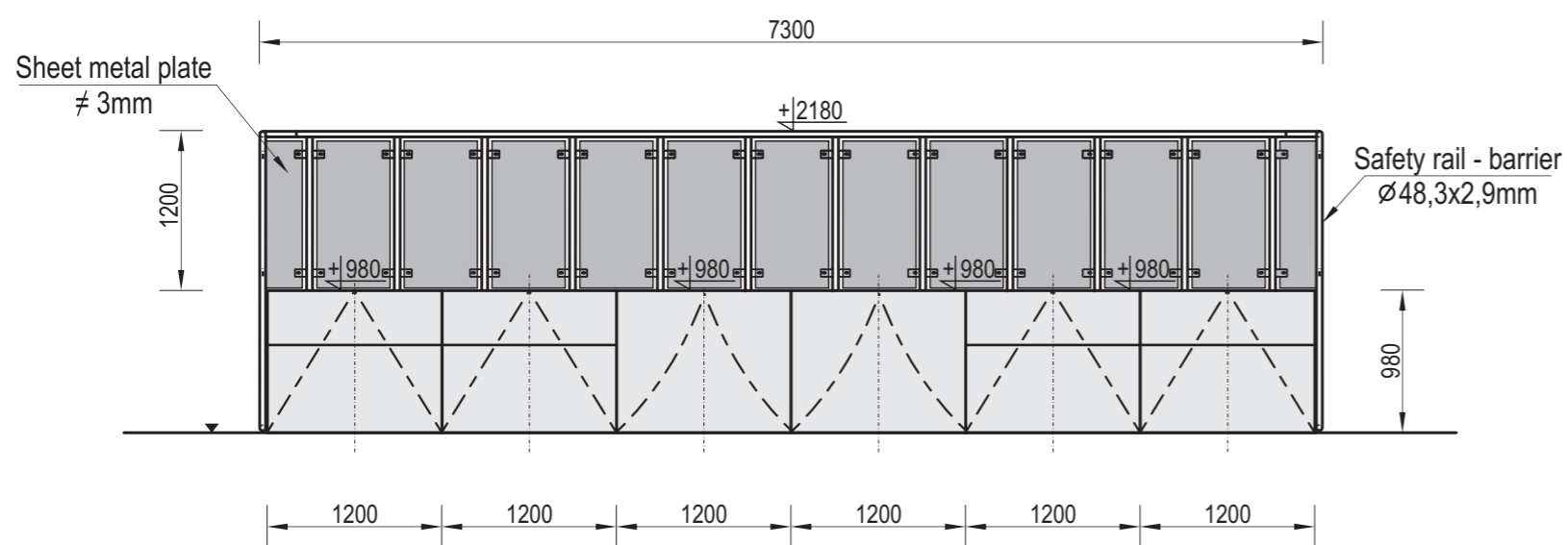
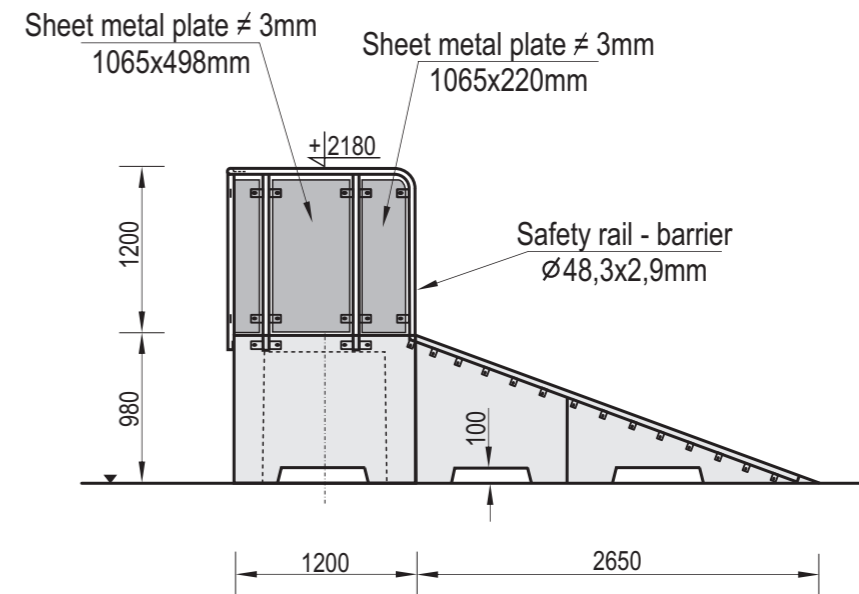


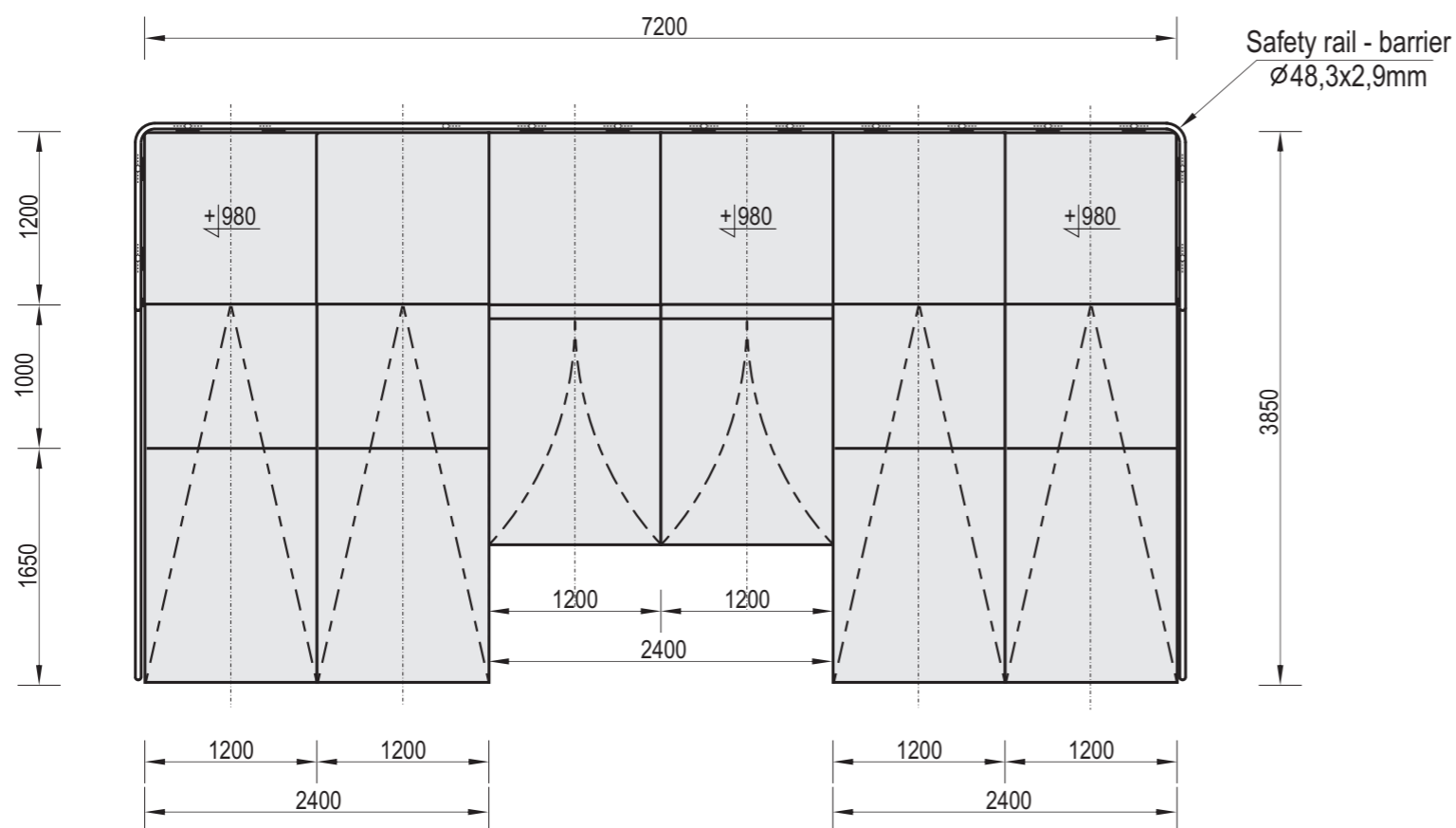
Front view



Side view



Top view



**Technical description**

- The set includes: 6x Box 980 + 4x Bank 980 + 2x Ramp 980 + Barrier
- Construction made of concrete class C35/45 and hot dip galvanized steel elements

**WARNING ! Children are allowed to use the item only under supervision of adults.**



Product name: <b>Quarter 5</b>	Date create: <b>2020-10-20</b>	Code: <b>109598</b>	Destination: <b>Sport</b>	Scale: <b>1:50</b>
Material: <b>Concrete of class C35/45, hot dip galvanized steel</b>	Weight:[kg] <b>13500</b>	Notes:		