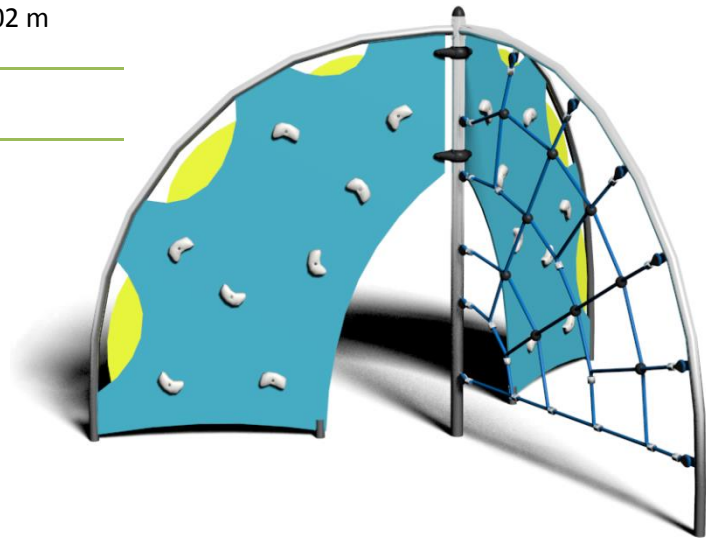


FUTURA SET NO. 9

Catalogue number: 77709

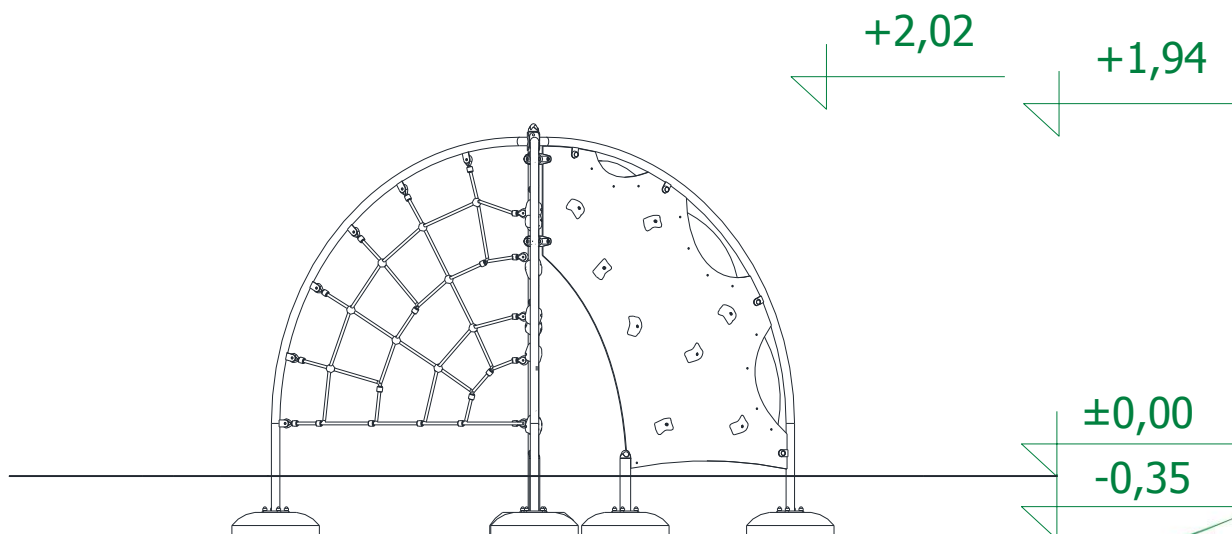
Users' age group:	up to 14 years
Max. free fall height:	1,94 m
Product Dimensions: (length x width x height)	2,99 x 2,61 x 2,02 m
Impact area: (length x width)	6,00 x 5,61 m



Technical description

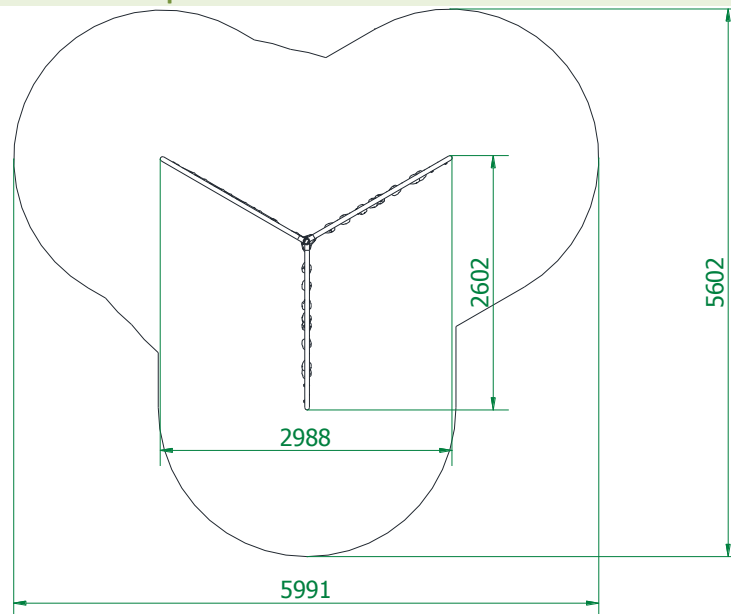
- Construction made of stainless steel round pipes $\varnothing 60,3 \times 2,5 \text{ mm}$
- Climbing walls made of HPL boards 8mm thick
- HDPE construction components
- Net made of armed ropes $\varnothing 16 \text{ mm}$
- The set includes foundations made of concrete class C25/30

Product dimensions



TECHNICAL DATA SHEET

Impact area dimensions



Permissible impact attenuating surface

- Bark – grain size 20 do 80 mm, min. depth 200 mm + 100mm (for displacement)
- Woodchip – grain size 5 do 30 mm, min. depth 200mm + 100mm (for displacement)
- Sand – grain size 0,2 do 2 mm, min. depth 200mm + 100mm (for displacement)
- Gravel – grain size 2 do 8 mm, min. depth 200 mm+ 100mm (for displacement)
- Synthetic surfaces in accordance whit tested HIC (EN 1177)

The impact attenuating surfacing shall be installed on the whole of impact area.

