

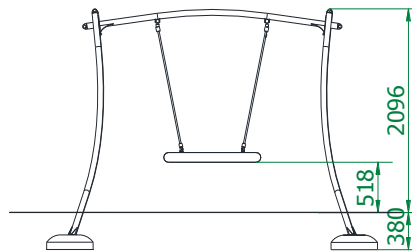
## FUTURA BIRD NEST SWING

Catalogue number: 77102

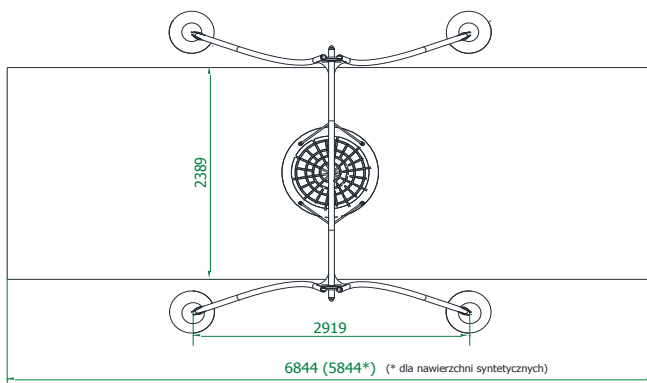
<b>Users' age group:</b>	3 - 14 y.o.
<b>Max. free fall height:</b>	1,30 m
<b>Product Dimensions:</b> (length x width x height)	2,90 x 2,53 x 2,10 m
<b>Impact area:</b> (length x width)	6,85(5,85)* x 2,39 m



### Product dimensions



### Impact area dimensions



\*for synthetic surface

### Permissible impact attenuating surface

- Bark – grain size 20 do 80 mm, min. depth 200 mm
- Woodchip – grain size 5 do 30 mm, min. depth 200mm
- Sand – grain size 0,2 do 2 mm, min. depth 200mm
- Gravel – grain size 2 do 8 mm, min. depth 200mm
- Synthetic surfaces in accordance whit tested HIC (EN 1177)

*The impact attenuating surface shall be installed on the whole of impact area.*

*A loose-fill safety surface shall be 100mm thicker than min. depth indicated above.*

*An impact area of the swing shall not overlap with the impact area of any other device on the playground*

### Technical description

- A solid construction made of stainless steel round pipes  $\varnothing 60,3 \times 2,5$  mm
- Connectors of the construction are resistant to weather conditions
- Stainless steel chains  $\varnothing 6$  mm thick
- Nest  $\varnothing 1045$  mm, hoop 100 mm thick
- The seat made of durable, armed ropes
- The set includes foundations made of concrete of class C25/30