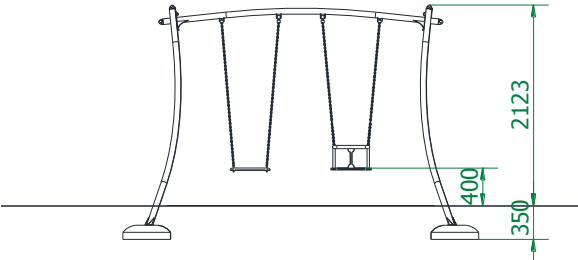


# TECHNICAL DATA SHEET

## FUTURA DOUBLE SWING SET

Catalogue numbers:  
77103 – version with two Flat Seats  
77103-A – version with two Baby Seats  
77103-B – version with Flat Seat and Baby Seat

<b>Users' age group:</b>	77103 – 3 - 14 y.o.	<b>Product dimensions:</b>
	77103-A – do 14 y.o. 77103-B – do 14 y.o.	
<b>Max. free fall height:</b>	1,20 m	
<b>Product Dimensions:</b> (length x width x height)	2,40 x 3,14 x 2,12 m	
<b>Impact area:</b> (length x width)	7,27(6,27)* x 2,87 m	



77103

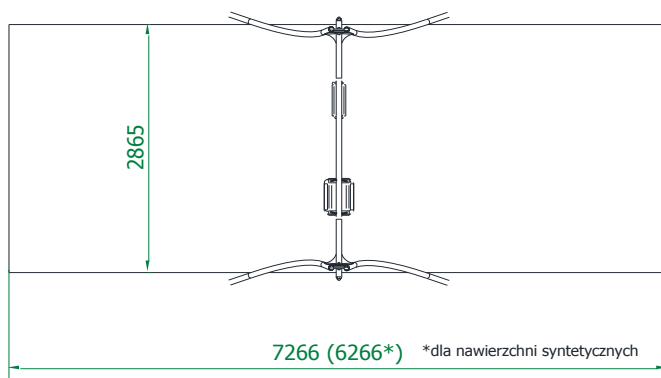


77103-A



77103-B

### Impact area dimensions



\*for synthetic surface

### Permissible impact attenuating surface

- Bark – grain size 20 do 80 mm, min. depth 200 mm
- Woodchip – grain size 5 do 30 mm, min. depth 200mm
- Sand – grain size 0,2 do 2 mm, min. depth 200mm
- Gravel – grain size 2 do 8 mm, min. depth 200mm
- Synthetic surfaces in accordance whit tested HIC (EN 1177)

*The impact attenuating surface shall be installed on the whole of impact area.*

*A loose-fill safety surface shall be 100mm thicker than min. depth indicated above.*

*An impact area of the swing shall not overlap with the impact area of any other device on the playground*

### Technical description

- A solid construction made of stainless steel round pipes  $\varnothing 60,3 \times 2,5 \text{ mm}$
- Connectors of the construction are resistant to weather conditions
- Stainless steel chains  $\varnothing 5 \text{ mm}$  thick
- Seats with aluminum profiles, covered with PU blend
- The set includes foundations made of concrete class C25/30