

# TECHNICAL DATA SHEET

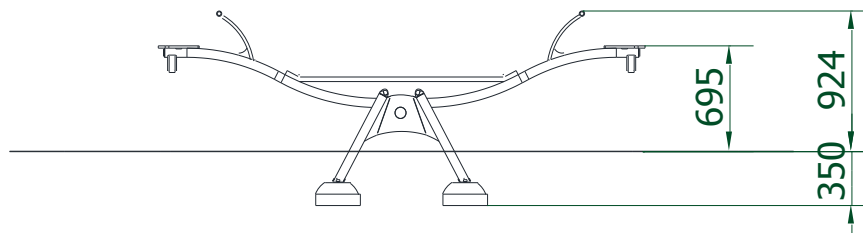
## FUTURA SEESAW

Catalogue number: 77201

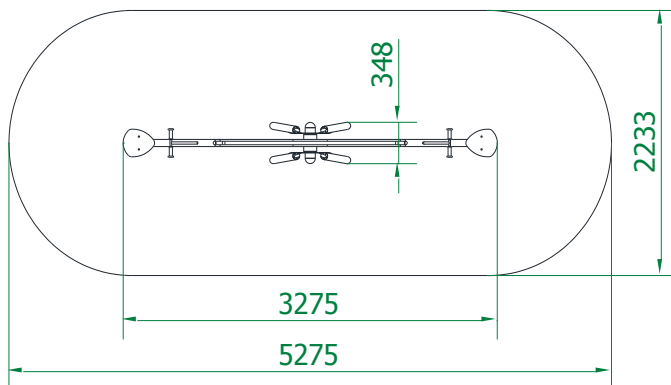
<b>Users' age group:</b>	3 - 14 y.o.
<b>Max. free fall height:</b>	1,12 m
<b>Product Dimensions:</b> (length x width x height)	3,28 x 0,35 x 1,28 m
<b>Impact area:</b> (length x width)	5,28 x 2,24 m



### Product dimensions



### Impact area dimensions



### Permissible impact attenuating surface

- Bark – grain size 20 do 80 mm, min. depth 200 mm
- Woodchip – grain size 5 do 30 mm, min. depth 200mm
- Sand – grain size 0,2 do 2 mm, min. depth 200mm
- Gravel – grain size 2 do 8 mm, min. depth 200mm
- Synthetic surfaces in accordance whit tested HIC (EN 1177)

*The impact attenuating surface shall be installed on the whole of impact area. A loose-fill safety surface shall be 100mm thicker than min. depth indicated above.*

### Technical description

- Construction made of stainless steel
- Arm made of stainless steel rounded pipe 60,3x2,5x3300mm
- Rubber handles and bumpers
- The seat made of HDPE sheet 19mm thick
- Sliding components provide a smooth operation of the device
- The set includes foundations made of concrete class C25/30