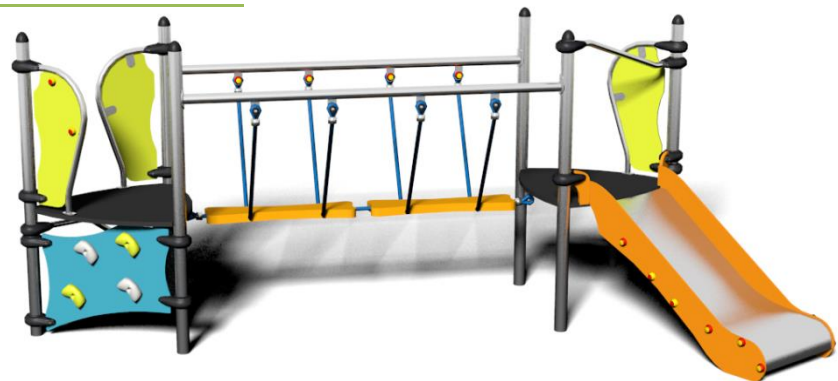


FUTURA PLAY SET NO. 59

Catalogue number: 77759

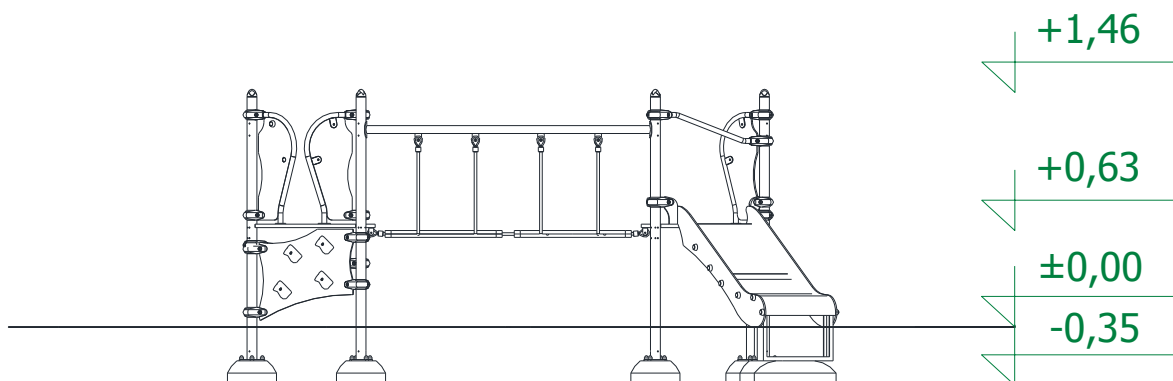
Users' age group:	up to 14 years
Max. free fall height:	0,63 m
Product Dimensions: (length x width x height)	3,64 x 1,99 x 1,46 m
Impact area: (length x width)	6,16 x 4,47 m



Technical description

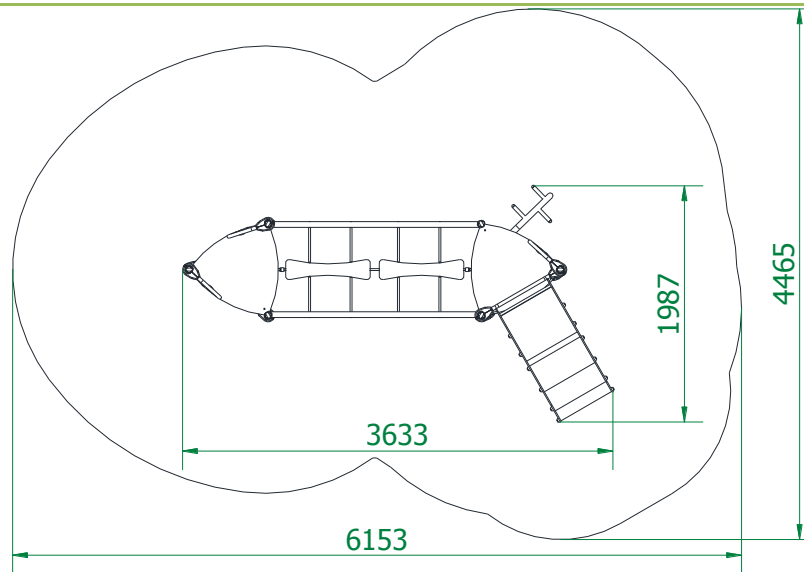
- Stainless steel construction made of stainless steel round pipes $\varnothing 60,3 \times 2,5 \text{ mm}$
- Non-slip, waterproof plywood platforms, 21mm thick
- Stainless steel slide with HDPE sides 19mm thick
- HPL side panels and climbing walls 8 mm thick
- Anti-slip HDPE planks 18mm thick
- The set includes foundations made of concrete of class C25/30
- Standard side panels can be replaced with play/educational panels from our offer

Product dimensions



Impact area dimensions

TECHNICAL DATA SHEET



Permissible impact attenuating surface

- Turf, topsoil
- Bark – grain size 20 do 80 mm, min. depth 200 mm + 100mm (for displacement)
- Woodchip – grain size 5 do 30 mm, min. depth 200mm + 100mm (for displacement)
- Sand – grain size 0,2 do 2 mm, min. depth 200mm + 100mm (for displacement)
- Gravel – grain size 2 do 8 mm, min. depth 200 mm+ 100mm (for displacement)
- Synthetic surfaces in accordance whit tested HIC (EN 1177)

The impact attenuating surfacing shall be installed on the whole of impact area.

