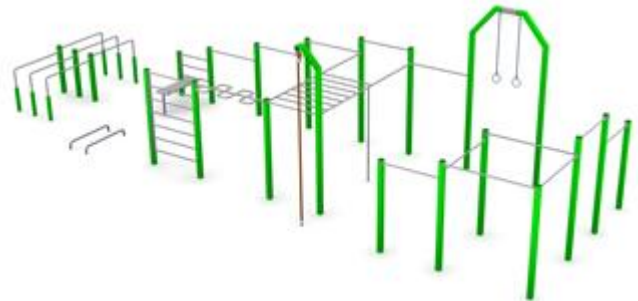


STREET WORKOUT SET NO. 20

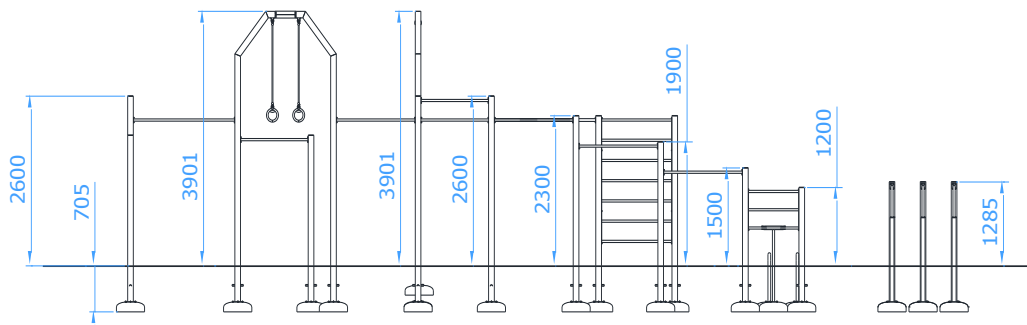
Catalogue number: 88020

It shall apply from: 03-10-2024

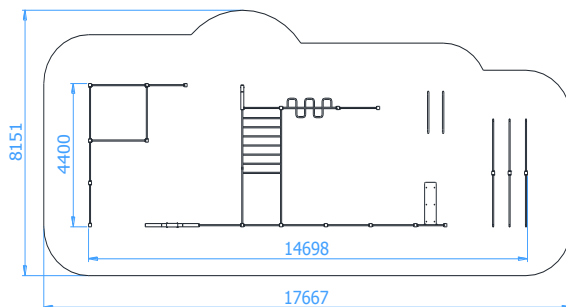
Max. free fall height:	2,80 m
Product Dimensions: (length x width x height)	14,70 x 8,16 x 3,90 m
Impact area: (length x width)	17,67 x 4,40 m
Free zone:	125,5 m ²



Product dimensions



Impact area dimensions



Permissible impact attenuating surface

- Bark – grain size 20 do 80mm, min. depth 200
- Woodchip – grain size 5 do 30 mm, min. depth 200mm
- Sand – grain size 0,2 do 2 mm, min. depth 200mm
- Gravel – grain size 2 do 8 mm, min. depth 200 mm
- Synthetic surfaces in accordance whit tested HIC (EN 1177)

The impact attenuating surfacing shall be installed on the whole of impact area.

A loose-fill safety surface shall be 100mm thicker than min. depth indicated above.

Technical description

- All posts made of closed profiles 100x100x3mm
- Bars and ladder made of Ø33,7x4mm pipes
- Horizontal ladder made of pipes: Ø38x4mm and Ø33,7x4mm
- Exercise pole and parallel bars made of Ø38x4mm
- Seat of the exercise bench made of 15mm HDPE sheet
- Push-up bars made of Ø48,3x2,9mm pipe
- Ø40mm jute climbing rope
- Gymnastic rings made of stainless steel pipe Ø30x2mm and armed rope Ø16mm
- All steel elements are hot-dip galvanized and painted with an acrylic, structured lacquer
- The set includes foundations made of concrete class C25/30
- All posts shall be set in concrete class C16/20

TECHNICAL DATA SHEET

Components of the Set

- Pull-up bars – 1set
- Triple parallel bars – 1 set
- Exercise bench with small ladder – 1pc.
- Climbing rope – 1pc.
- Gymnastic rings – 1pc.
- Horizontal ladder – 1pc.
- Ladder – 1pc.
- Exercise pole – 1pc.
- Pull-up bar – 11pcs.
- Horizontal snake ladder – 1pc.

Product visualization

