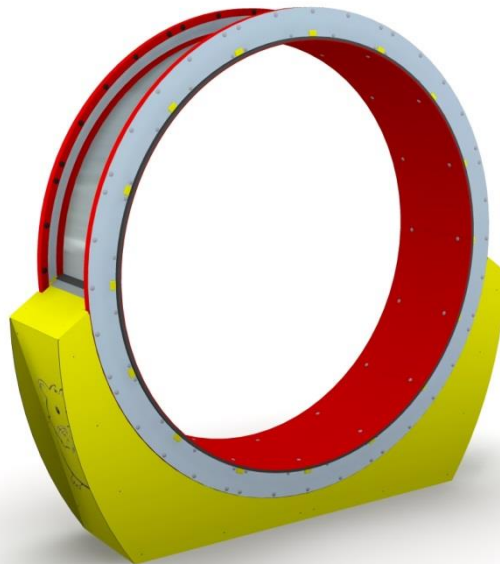


It shall apply from: **04-03-2020 r.**

## **ASSEMBLY INSTRUCTION OF HAMSTER WHEEL 14070**



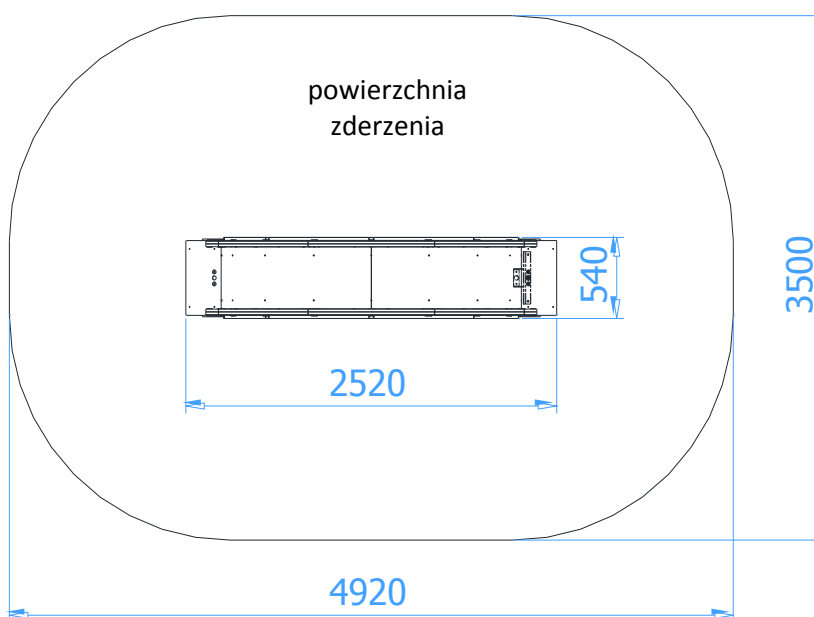
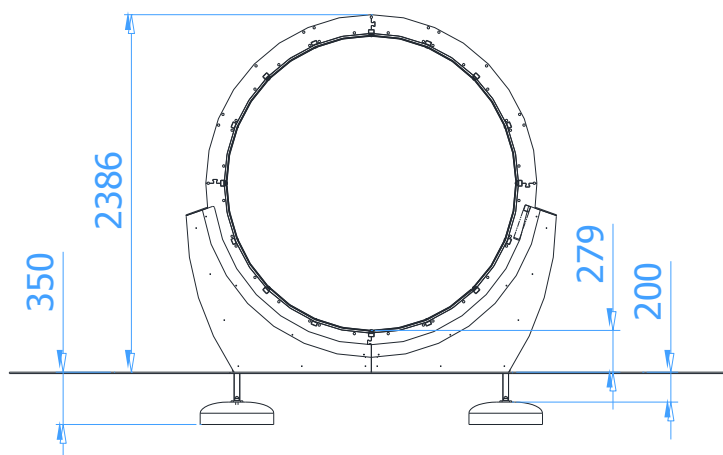


## TABLE OF CONTENTS

INTRODUCTION .....	2
STEP 1 – preparatory work .....	3
STEP 2 – assembly of the construction .....	3
1. List of components .....	3
2. Assembly scheme .....	4

## INTRODUCTION

- Max. free fall height: 0,7 m
- Depth of foundation: 0,35 m
- Impact area: 4,92 x 3,50 m

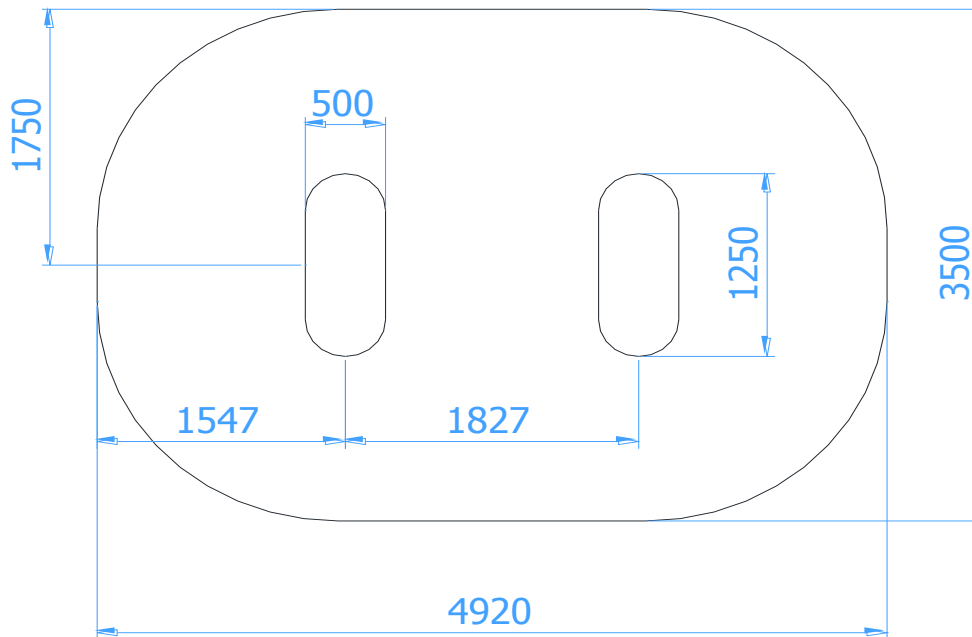




## STEP 1 - preparatory work

- Secure the assembly site to keep others at a distance
- Set the construction in the selected location while maintaining required impact area
- Mark approximately points of contact between stanchions and the ground.

Foundation spacing:



### WARNING !

All installation activities shall be performed in accordance with health and safety standards  
A foundation setup tolerance is  $\pm 50$  mm.

## STEP 2 - assembly of the construction

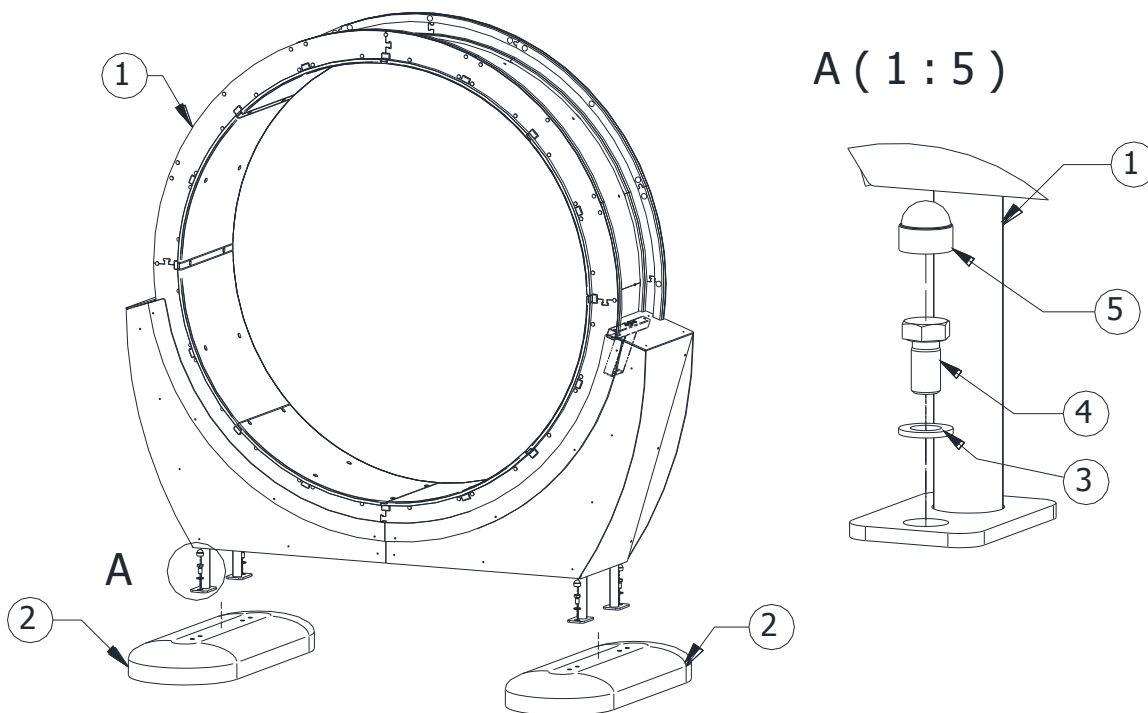
### 1. List of components

NO.	NAME OF COMPONENT	DIMENSIONS	QTY.	NORM
1	Circular Treadmill – Hamster Wheel		1	
2	Foundation	OW-1240	2	Concrete
3	Washer	$\varnothing 30 \times \varnothing 17 \times 3$ (M16)	4	DIN 125
4	Hexagon Head Screw	M16 x 30	4	DIN 933
5	Screw cap	M16	4	Plastic



## 2. Assembly scheme

- Determine foundation setup
- Turf (if any) shall be removed and set aside
- Excavate holes for foundations with a appropriate depth
- Put the foundations into the holes
- Install the Hamster Wheel on foundation



- Level the construction and set its vertical alignment. Check if the basic level mark coincides with level of the ground.
- Remove the slacks in joints
- Fill the holes with soil, compact it and level it with turf (if any) to the level of the ground
- Put the statutory plate