

TECHNICAL DATA SHEET

AVENIR CASTLE - RED DRAGON GATE

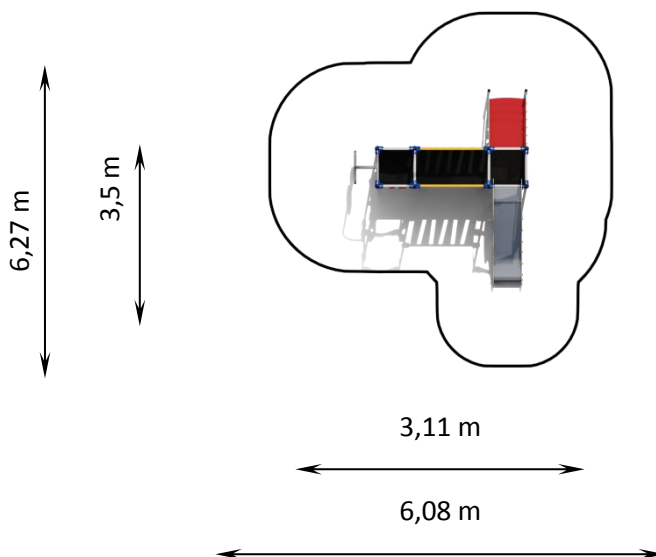
Catalogue number: 72505

It shall apply from: 2025-01-08

Max. free fall height:	1,26 m
Product Dimensions: (length x width x height)	3,11 x 3,5 x 2,63 m
Impact area: (length x width)	6,08 x 6,27 m



Impact area dimensions



Permissible impact attenuating surface

- Bark – grain size 20 do 80 mm, min. depth 200 mm + 100mm (for displacement)
- Woodchip – grain size 5 do 30 mm, min. depth 200mm + 100mm (for displacement)
- Sand – grain size 0,2 do 2 mm, min. depth 200mm + 100mm (for displacement)
- Synthetic surfaces in accordance whit tested HIC (EN 1177)

The impact attenuating surfacing shall be installed on the whole of impact area.

A loose surface should be made so that its thickness is 100 mm greater than the minimum value given above.

Technical description

- Construction made of steel pipes $\varnothing 48,3 \times 2,9 \text{ mm}$,
- Surface elements made of 8mm thick HPL boards decorated with colourful prints resistant to UV radiation
- Floor platforms made of anti-slip, waterproof plywood, 21mm thick,
- Slide made of stainless steel and milled HPL board 10mm thick
- The steel structure is hot-dip galvanized and powder-coated,
- The set includes foundations made of concrete of class C25/30.

List of components

- High bottom structure + grate H950 x1pc
- Bottom construction + gate H-950 x2pcs
- Tower W4-950-ZD4 x2pcs
- Climbing entrance with handles H950 x1pc
- Stairs H950 x1pc
- Fireman's entrance H950 x1pc
- Necking H950 x2pcs
- Bridge with fence L1320 H950 x1pc
- Side panel A3 H950 x1pc
- Side panel A2 Dragon H950 x1pc
- Dragon slide H950 x1pc
- Top of the tower D4 x2pcs

Product visualization

