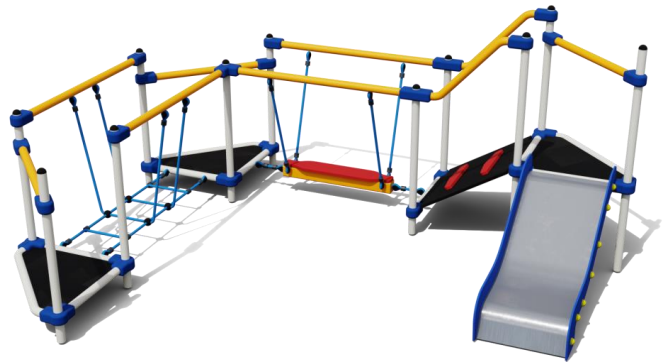


## AVENIR PLAYGROUND SET 10

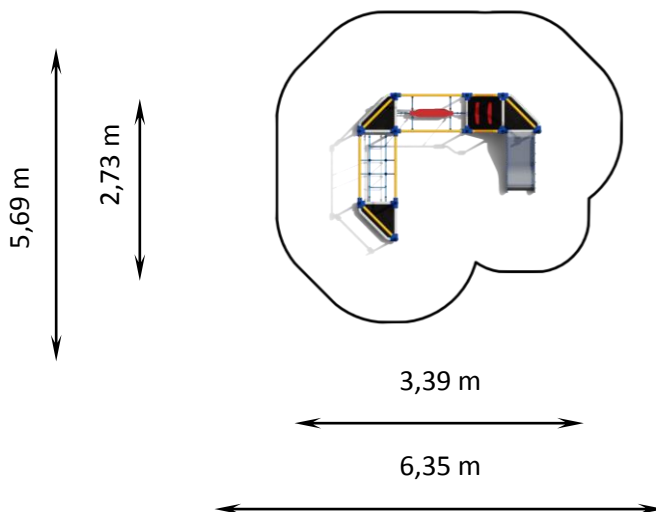
Catalogue number: 72010

It shall apply from: 2025-01-10

<b>Max. free fall height:</b>	0,58 m
<b>Product Dimensions:</b> (length x width x height)	3,39 x 2,73 x 1,43 m
<b>Impact area:</b> (length x width)	6,35 x 5,69 m



### Impact area dimensions



### Permissible impact attenuating surface

- No requirements

### Technical description

- Construction made of steel pipes  $\varnothing 48,3 \times 2,9$  mm,
- Surface elements made of 8 mm thick HPL boards
- Floor platforms made of anti-slip, waterproof plywood, 21 mm thick,
- Steps made of anti-slip HDPE board
- Slide made of stainless steel and HDPE board 19 mm thick
- Rope elements made of reinforced rope  $\varnothing 16$  mm
- The steel structure is hot-dip galvanized and powder-coated,
- The set includes foundations made of concrete of class C25/30.

### List of components

- Tower W3-150-BD x2szt
- Tower H-150 x1szt
- Slide H550 x1szt
- Balance beam L1320 H150 x1szt
- Slanted bridge L660 H150-550 x1szt
- Tower W3-550-BD x1szt
- Crossbar W3 H150 x3szt
- Rope bridge L1320 H150 x1szt

# TECHNICAL DATA SHEET

## Product visualization

